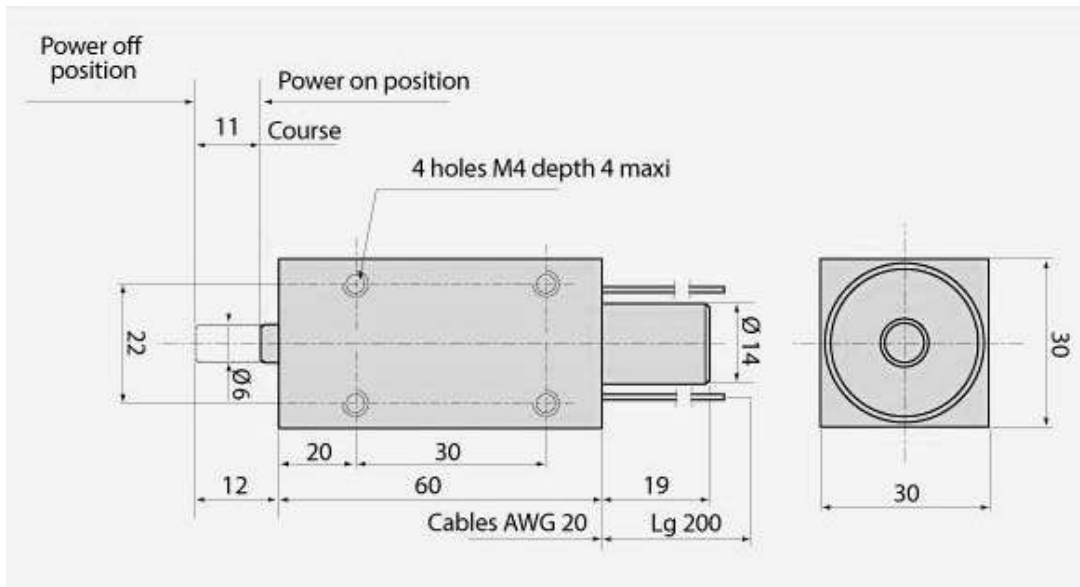




**B.20**  
**SHOTBOLT IP40**  
**LOCKING POWER OFF**



**BDC.20**

- Maximum radial force: 60kg
- Plunger output and input force: 100g
- Standard voltage: 24V DC
- Possible voltages: 12V DC - 200V DC
- Nominal force: 9W - 20°C
- Operating mode: Permanent service
- Maximum duty cycle: 100%
- Isolation group: 0
- Protection: IP40
- Service operating temperature: -5°C, +40°C
- Thermal class: B
- Total weight: 350g

**Example of use:**

- Cover locking
- Door locking
- Master controller locking
- Protector locking