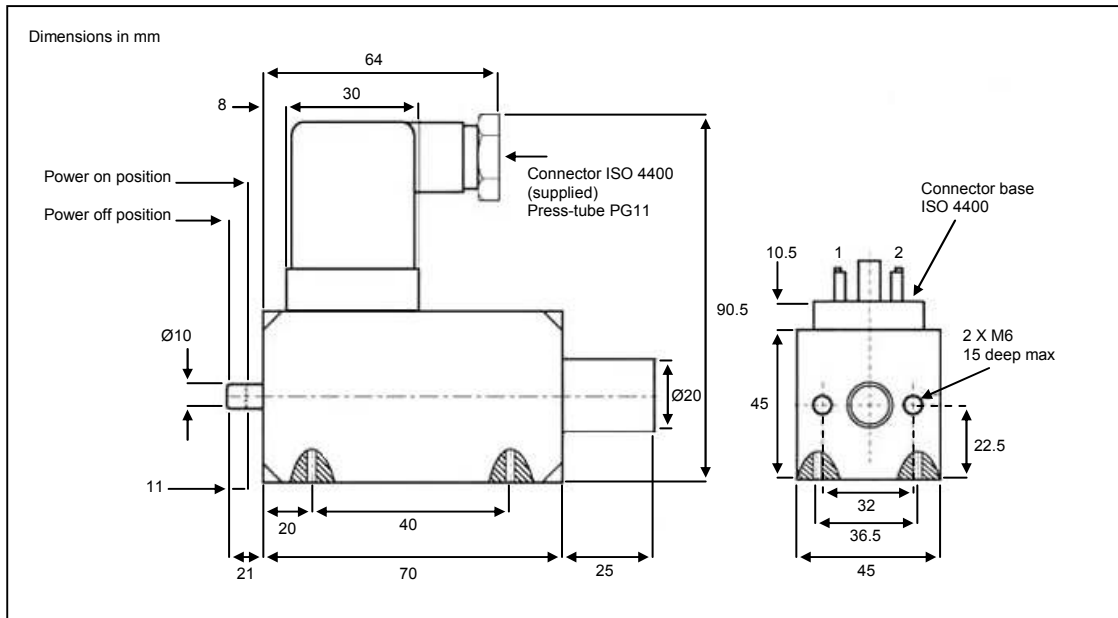




B.22
SHOTBOLT IP54
LOCKING POWER OFF
WITHOUT POSITION MONITORING



BDC.22 and BAC.22

Maximum radial force: **300kg**

Plunger output and input force: **500g**

Assembly in all positions.

Standard voltage: **24V DC - 230V AC**

Possible voltages: **12V - 200V DC / 24V - 230V AC (-10%, +5%)**

Nominal force: **18W - 20°C**

Maximum duty cycle: **100%**

Protection: **IP54**

Service operating temperature: **-5°C, +40°C**

Thermal class: **B**

Total weight: **900g**

Example of use:

Cover locking

Door locking

Manipulator locking

Protector locking