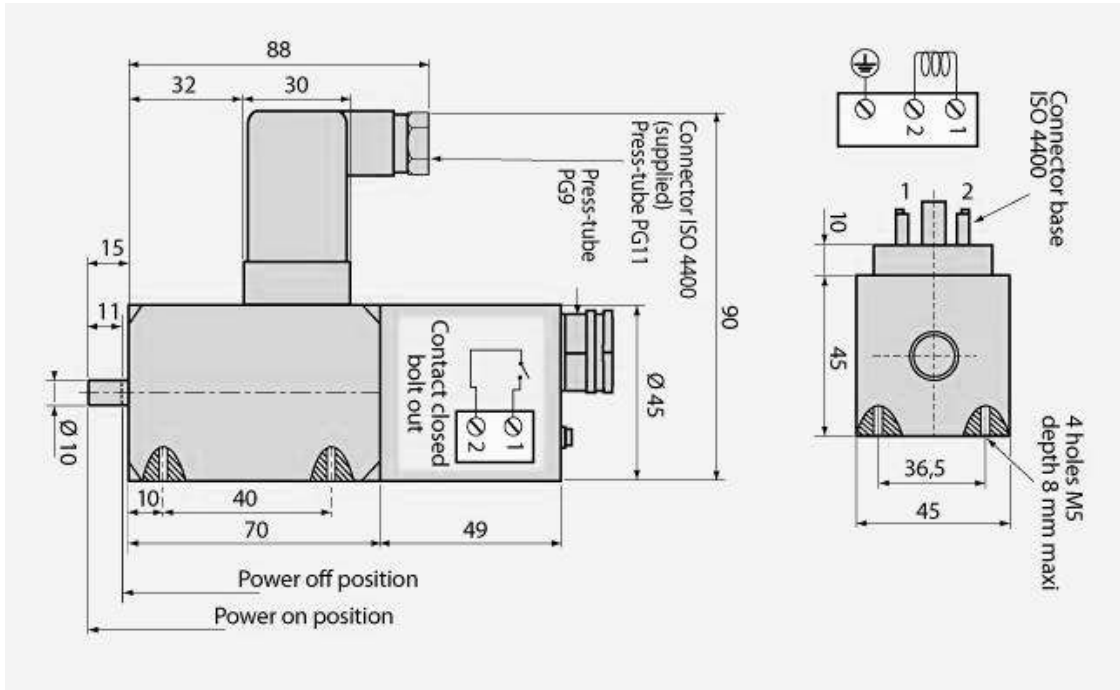




**B.24**  
**SHOTBOLT IP54**  
**LOCKING POWER ON**  
**WITH OR WITHOUT**  
**POSITION MONITORING**



**BDC.24, BDC.24PM and BAC.24, BAC.24PM**

- Maximum radial force: 300kg
- Plunger output and input force: 500g
- Assembly in all positions.
- Standard voltage: 24V DC - 230V AC
- Possible voltages: 12V DC to 200V DC - 24V AC to 230V AC (-10%, +5%)
- Nominal force: 18W - 20°C
- Duty cycle: 100%
- Detection of plunger position.
- Control snap switch rating 5A 250V DC
- Protection: IP54
- Service operating temperature: -5°C, +40°C
- Thermal class: B
- Total weight: 1.1Kg

**Example of use:**

- Cover locking
- Door locking
- Manipulator locking
- Dust cover locking

**HE & BS Benson Limited**  
**1 Laureate Industrial Estate, Exning Road, Newmarket CB8 0AR**  
**Tel: +44(0)1638 663535 & 663130 Fax: +44(0)1638 667434**  
**www.hebsenson.co.uk**  
**sales@hebsenson.co.uk technical@hebsenson.co.uk**