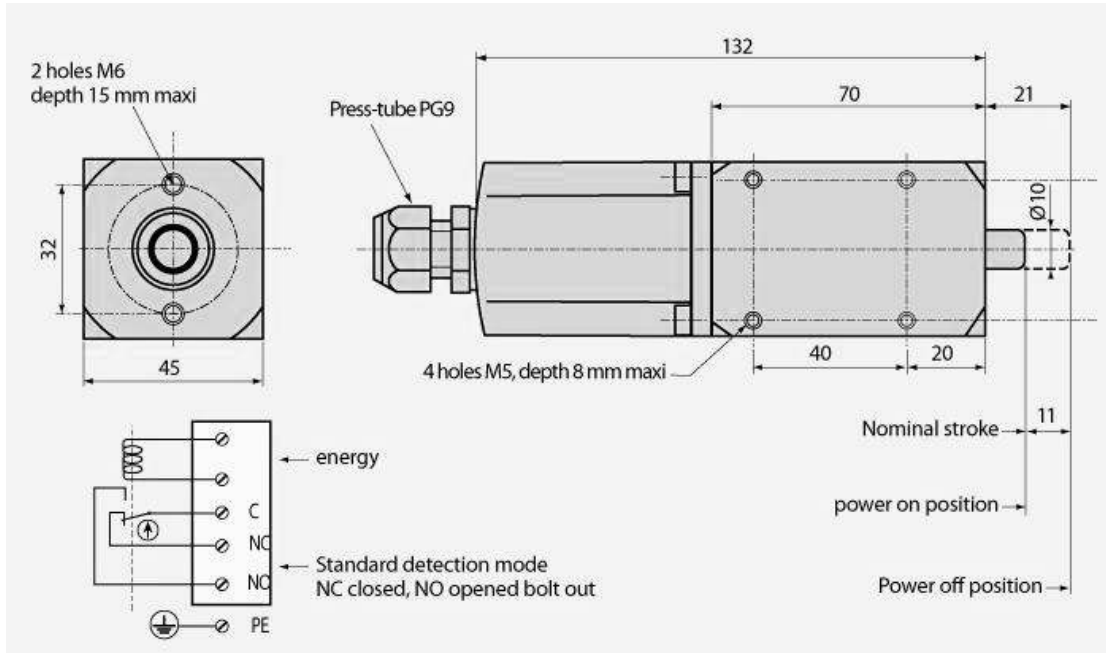




B.26
SHOTBOLT IP54
LOCKING POWER OFF
WITH POSITION MONITORING
BY FORCED OPEN SAFETY CONTACT



BDC.26PM and BAC.26PM

Maximum radial force: 300kg

Plunger output and input force: 500g

Assembly in all positions.

Standard voltage: 24V DC - 230V AC

Possible voltages: 12V DC to 220V DC - 110V AC to 230V AC (-10%, +5%)

Nominal force: 18W - 20°C

Duty cycle: 100%

Detection of plunger position: by NF contact with opening positive movement (force opening) and with positive mechanical control.

Possibility of disconnection according to EN 60947-5-1

AC 15 : 240/6A

DC 13 : 24V / 0.8A ($I/r = 40ms$)

Protection: IP54

Service operating temperature: -5°C, +40°C

Thermal class: B (130°C)

Total weight: 1.1Kg

Example of use: Securing dangerous machines according to standards EN292, EN1088, EN60204-1 and EN60947-5-1

Locking moving guards

Locking doors accessing dangerous areas

Locking covers

Any locking requiring resistant parts and detecting the plunger position.

HE & BS Benson Limited

1 Laureate Industrial Estate, Exning Road, Newmarket CB8 OAR

Tel: +44(0)1638 663535 & 663130 Fax: +44(0)1638 667434

www.hebsbenson.co.uk

sales@hebsbenson.co.uk technical@hebsbenson.co.uk