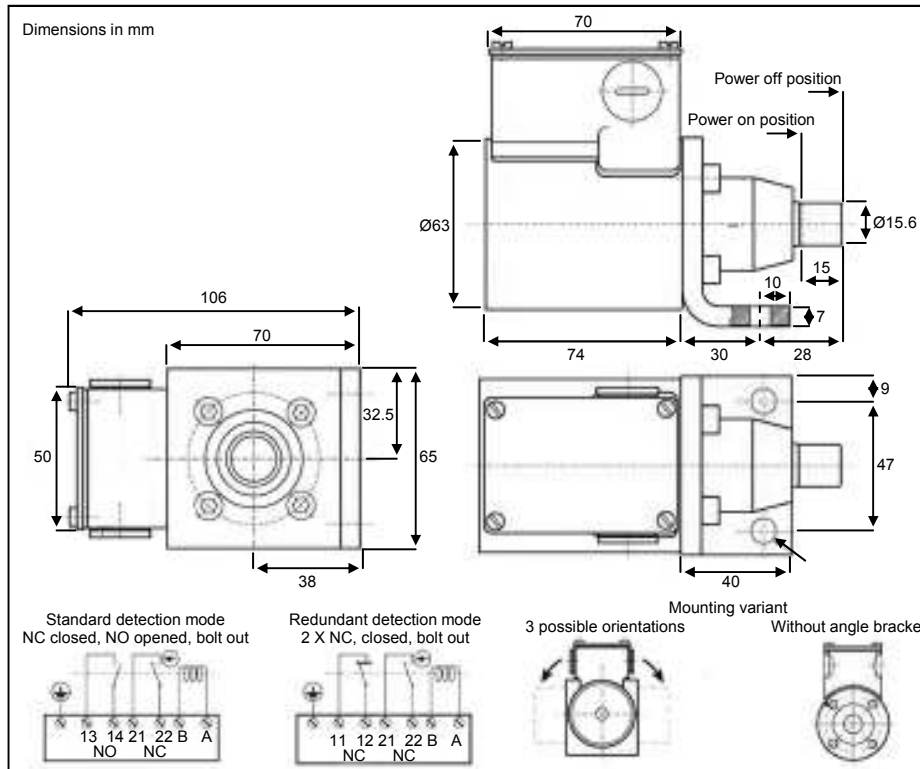




**B.28PM54**  
**LOCKING POWER OFF**  
**WITH POSITION MONITORING**  
**BY FORCED OPEN SAFETY CONTACT**



**BDC.28PM54 and BAC.28PM54**

Maximum radial force: **500kg**

Plunger output and input force: **1Kg**

Assembly in all positions.

Standard voltage: **24V DC - 230V AC (-10%, +5%)**

Possible voltages: **12V - 220V DC / 110V - 230V AC (-10%, +5%)**

Nominal force: **32W**

Duty cycle: **100%**

Detection of plunger position: by NF contact with opening positive movement (force opening) and with positive mechanical control.

**Possibility of disconnection according to EN 60947-5-1**

AC 15 : 240 / 3A

DC 13 : 24V / 0.55A (I/r = 75ms)

Protection: **IP54**

Service operating temperature: **-5°C, +40°C**

Thermal class: **B (130°C)**

Total weight: **2.2Kg**

**Example of use:** Securing dangerous machines according to standards EN292, EN1088, EN60204-1 and EN60947-5-1

Locking moving guards

Locking doors accessing dangerous areas

Locking covers