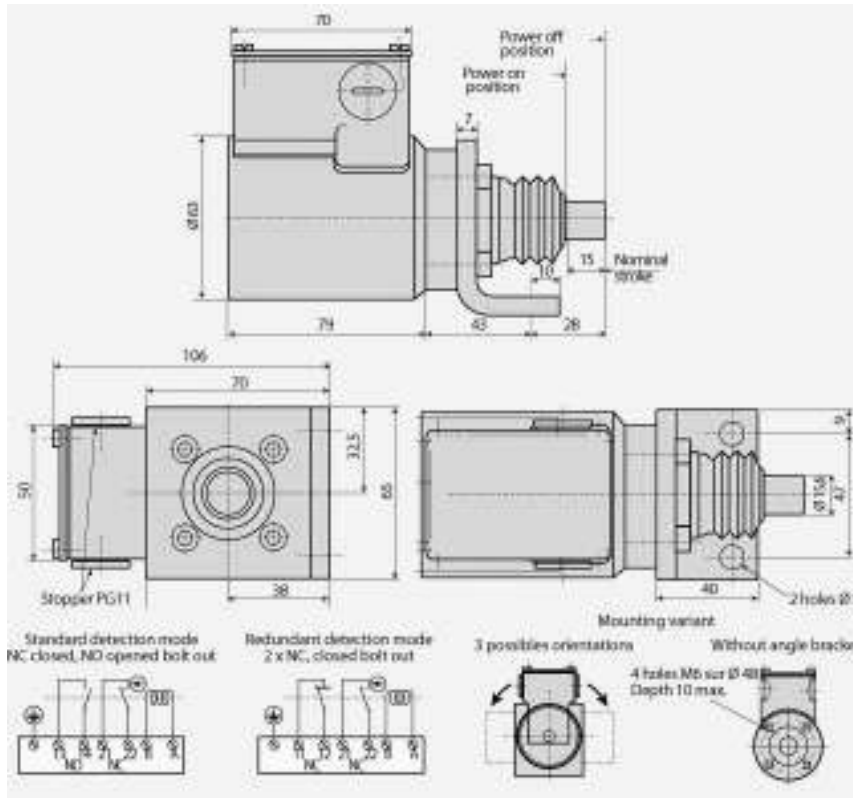




B.28PM65
SHOTBOLT IP65
LOCKING POWER OFF
WITH POSITION MONITORING
BY FORCED OPEN SAFETY CONTACT



BDC.28PM65 and BAC.28PM65

Maximum radial force: 300kg

Plunger output and input force: 1Kg

Assembly in all positions.

Standard voltage: 24V DC - 230V AC (-10%, +5%)

Possible voltages: 12V DC to 220V DC - 110V AC to 230V AC (-10%, +5%)

Nominal force: 32W

Duty cycle: 100%

Detection of plunger position: by NF contact with opening positive movement (force opening) and with positive mechanical control.

Possibility of disconnection according to EN 60947-5-1

AC 15 : 240 / 3A

DC 13 : 24V / 0.55A ($I/r = 75ms$)

Protection: IP65

Service operating temperature: -5°C, +40°C

Thermal class: B (130°C)

Total weight: 2.2Kg

Example of use: Securing dangerous machines according to standards EN292, EN1088, EN60204-1 and EN60947-5-1

Locking moving guards

Locking doors accessing dangerous areas

Locking covers