

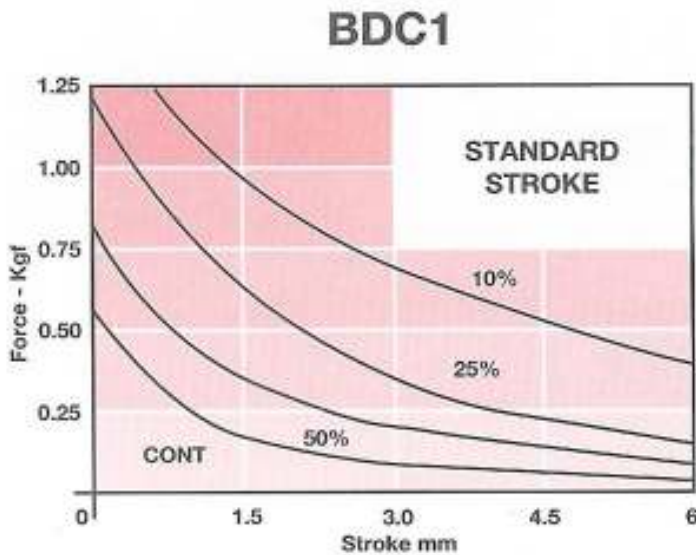
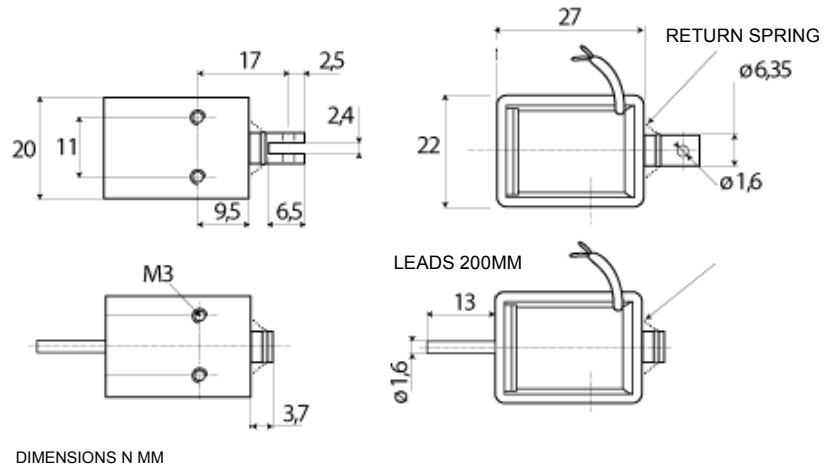


**BDC.1  
DC LINEAR SOLENOID**

**Availability**  
For DC only.  
PULL - THRUST - PULL & THRUST  
For operation over 50V  
please enquire as to feasibility.

**Solenoid shown in energised position**

Weight complete 55g  
Plunger weight 5g max



Forces shown are at working temperature  
Cold forces are higher

**DC Watts**  
Cont Rtg = 3.75W  
50% Rtg = 7.5W  
25% Rtg = 15W  
10% Rtg = 37.5W

**HE & BS Benson Ltd**

1 Laureate Industrial Estate, Exning Road, Newmarket, Suffolk CB8 0AR  
Tel. +44 (0) 1638 663535 / 663130 Fax. +44 (0) 1638 667434  
sales@hebsenson.co.uk - technical@hebsenson.co.uk