

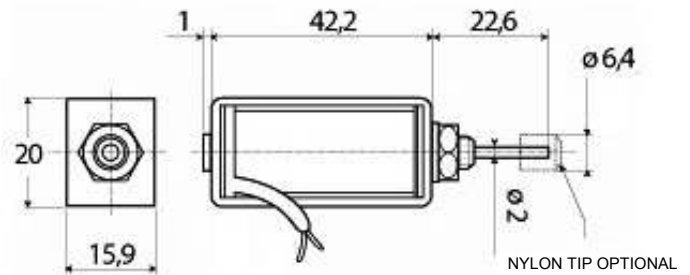
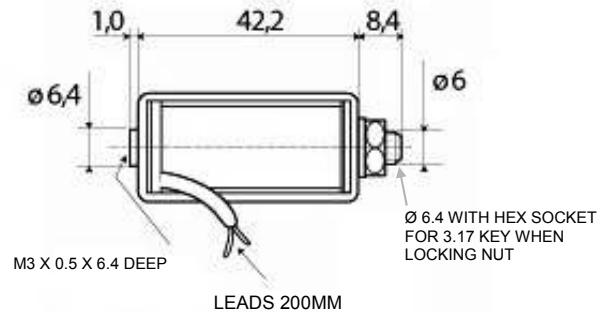


B2
AC & DC LINEAR SOLENOID

Availability
AC or DC
PULL - THRUST - PULL & THRUST
For quiet hold, use DC
For operation over 50V
please enquire as to feasibility.

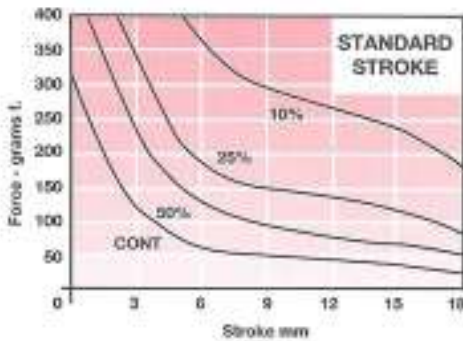
Solenoid shown in energised position

Weight complete 57g
Plunger weight 10g max

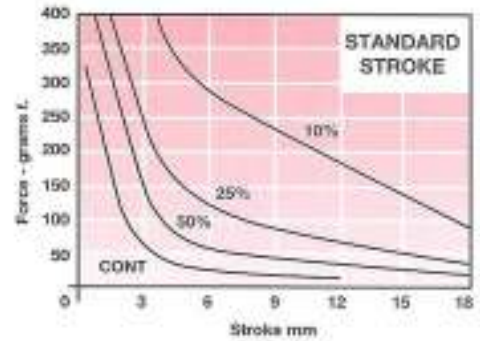


DIMENSIONS IN MM

BAC2



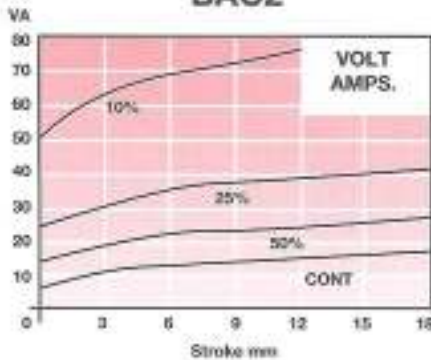
BDC2



AC Closed VA
Cont Rtg = 6.5VA
50% Rtg = 14VA
25% Rtg = 24VA
10% Rtg = 50VA

DC Watts
Cont Rtg = 5W
50% Rtg = 10W
25% Rtg = 20W
10% Rtg = 50W

BAC2



Forces shown are at working temperature
Cold forces are higher

HE & BS Benson Ltd

1 Laureate Industrial Estate, Exning Road, Newmarket, Suffolk CB8 0AR
Tel. +44 (0) 1638 663535 / 663130 Fax. +44 (0) 1638 667434
sales@hebsbenson.co.uk - technical@hebsbenson.co.uk