



**B4**  
**AC & DC LINEAR SOLENOID**

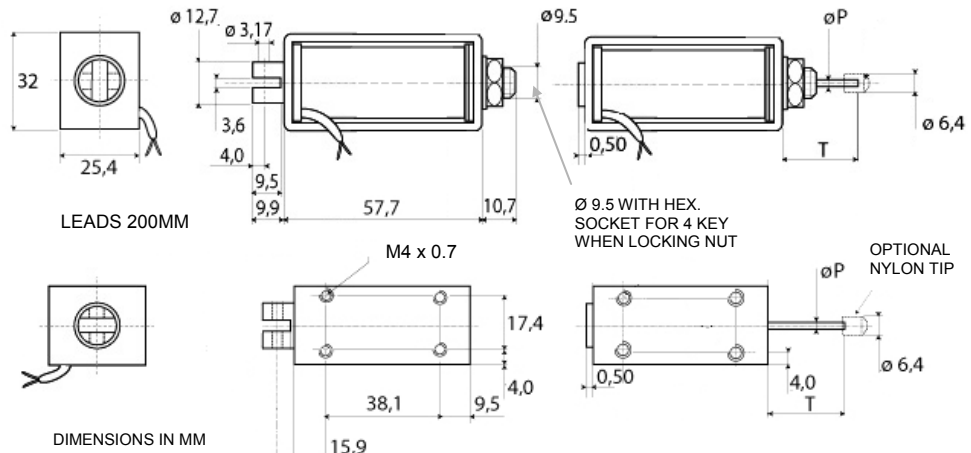


**Availability**  
AC or DC Standard Stroke  
PULL - THRUST - PULL & THRUST  
DC Long Stroke

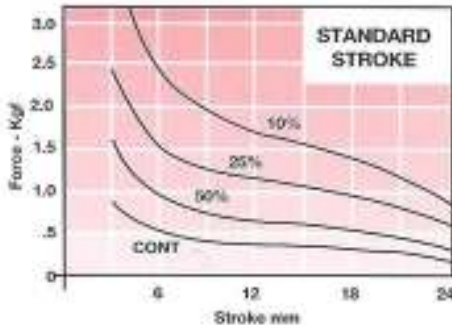
**Solenoid shown in energised position**

	Dim 'T'	Ø 'P'
BAC4	36.1	3.17
BDC4	32	2.4

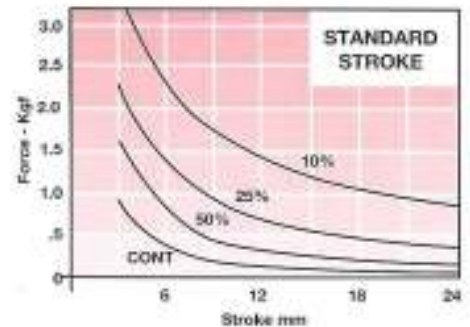
Weight complete 248g  
Plunger weight 63g max



**BAC4**

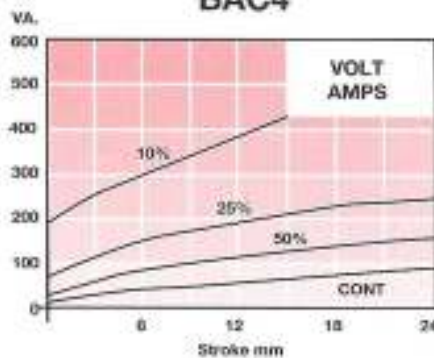


**BDC4**

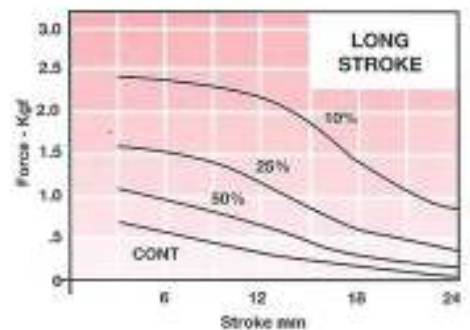


Forces shown are at working temperature  
Cold forces are higher

**BAC4**



**BDC4L**



**AC Closed VA**  
Cont Rtg = 17VA  
50% Rtg = 34VA  
25% Rtg = 68VA  
10% Rtg = 200VA

**DC Watts**  
Cont Rtg = 11W  
50% Rtg = 22W  
25% Rtg = 44W  
10% Rtg = 110W

**HE & BS Benson Ltd**

1 Laureate Industrial Estate, Exning Road, Newmarket, Suffolk CB8 0AR  
Tel. +44 (0) 1638 663535 / 663130 Fax. +44 (0) 1638 667434  
sales@hebsbenson.co.uk - technical@hebsbenson.co.uk