

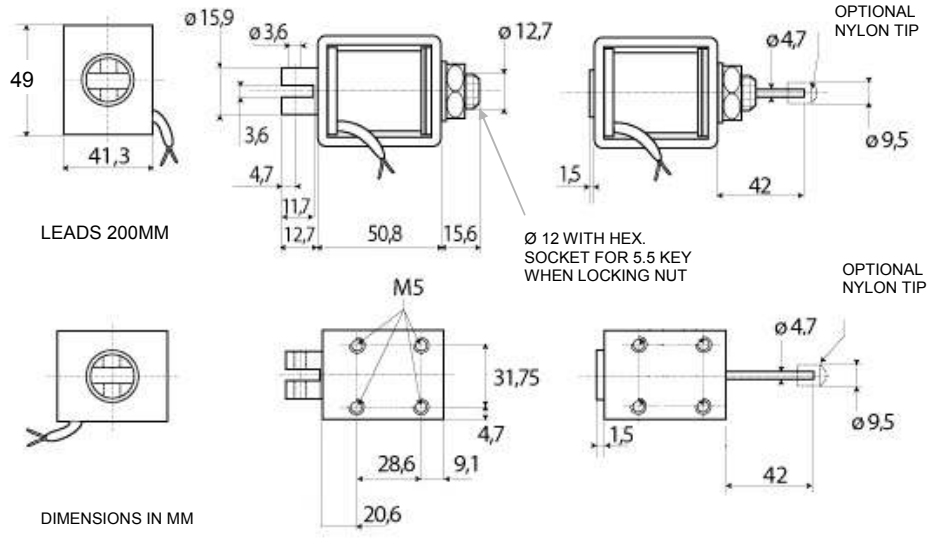


**B5**  
**AC & DC LINEAR SOLENOID**

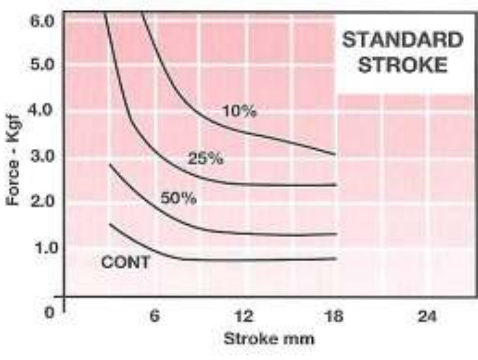
**Availability**  
AC or DC Standard Stroke  
PULL - THRUST - PULL & THRUST  
DC Long Stroke

**Solenoid shown in energised position**

Weight complete 566g  
Plunger weight 85g max

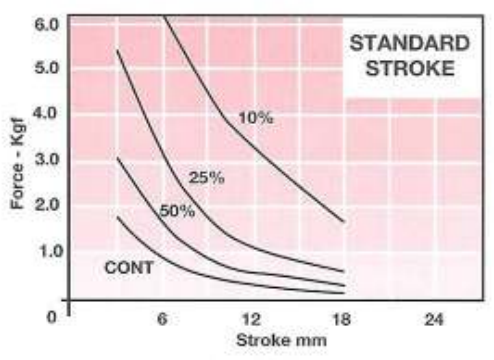


**BAC5**



Forces shown are at working temperature  
Cold forces are higher

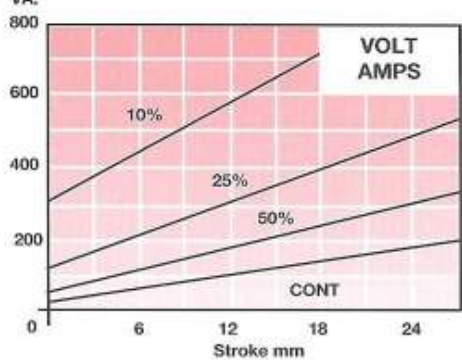
**BDC5**



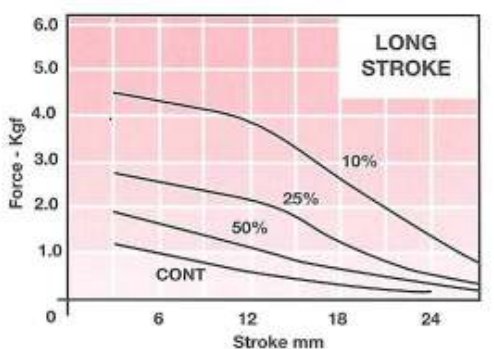
**AC Closed VA**  
Cont Rtg = 30VA  
50% Rtg = 70VA  
25% Rtg = 120VA  
10% Rtg = 300VA

**DC Watts**  
Cont Rtg = 15W  
50% Rtg = 22W  
25% Rtg = 44W  
10% Rtg = 110W

**BAC5**



**BDC5L**



**HE & BS Benson Ltd**

1 Laureate Industrial Estate, Exning Road, Newmarket, Suffolk CB8 0AR  
Tel. +44 (0) 1638 663535 / 663130 Fax. +44 (0) 1638 667434  
sales@hebsenson.co.uk - technical@hebsenson.co.uk