

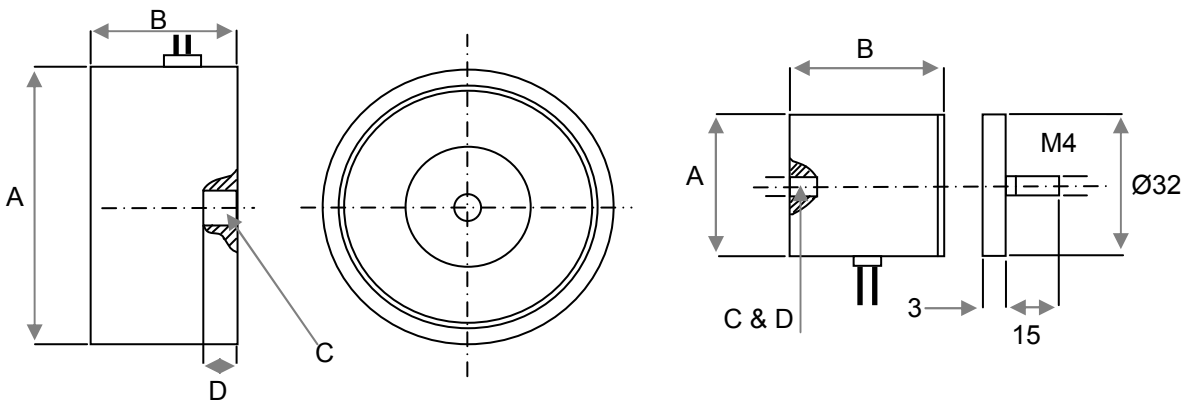


Electromagnets
HOLDING POWER ON & OFF

Standard Voltage 24VDC

Dimensions in mm

BEM10 includes catch plate



Type	Holding Force	ØA	B	C	D
Holding Force Power-ON					
BEM3	12Kgf	30	25	M6	12.7
BEM4	40 Kgf	40	27	M6	12.7
BEM5	55 Kgf	50.8	44.5	M8	12.7
BEM6	145 Kgf	63	30.4	M8	15
BEM7	200 Kgf	75	35	M10	15
BEM8	294 Kgf	90	40	M12	20
BEM9	550 Kgf	110	50	M12	20
Holding Force Power-OFF					
BEM10	12 Kgf	30	32	M4	6
BEM11	200 Kgf	75	65	M6	8

HE & BS Benson Limited

1 Laureate Industrial Estate, Exning Road, Newmarket CB8 OAR

Tel: +44(0)1638 663535 & 663130 Fax: +44(0)1638 667434

www.hebsenson.co.uk sales@hebsenson.co.uk technical@hebsenson.co.uk