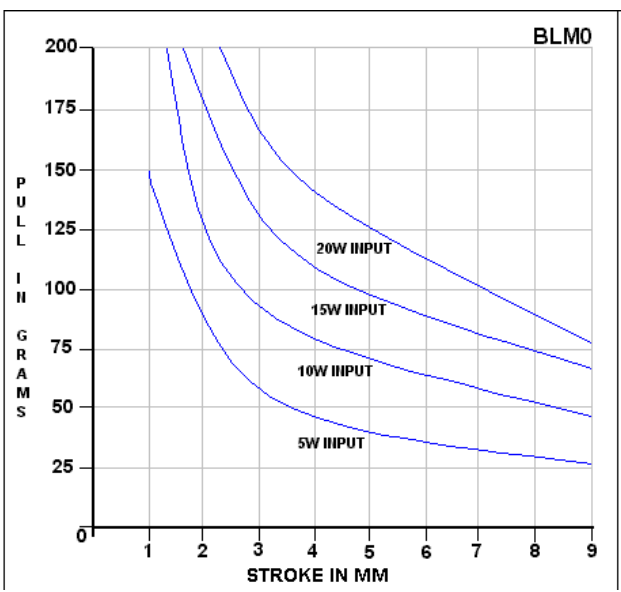
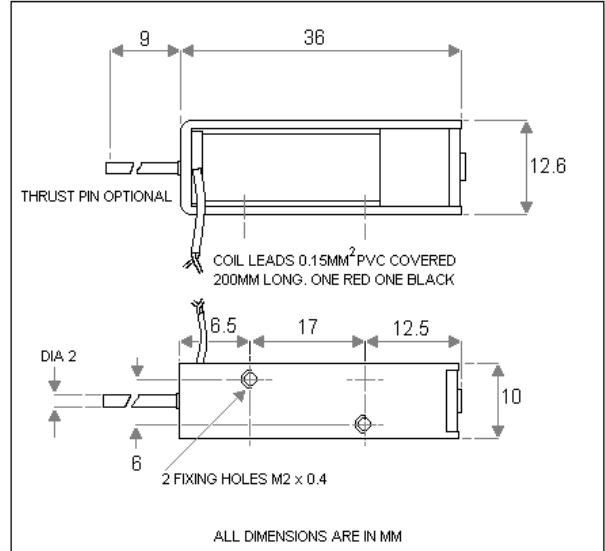


BLM.0
DC MAGNETICALLY LATCHING
SOLENOID

Weight complete 20g approx
Plunger weight 4g max

- AVAILABILITY**
- * PULL
 - * THRUST
 - * PULL & THRUST
 - * THRUST RETURN SPRING
 - * FLAT BACK FRAME
 - * PULL RETURN SPRING
 - * SIDE FIXING

SOLENOID CLOSSES WITH RED LEAD + VE
SOLENOID OPENS WITH BLCK LEAD + VE



Forces shown are at working temperature
Cold forces are higher

HE & BS Benson Limited
1 Laureate Industrial Estate, Exning Road, Newmarket CB8 OAR
Tel: 01638 663535 & 663130 Fax: 01638 667434
www.hebsbenson.co.uk sales@hebsbenson.co.uk info@hebsbenson.co.uk