



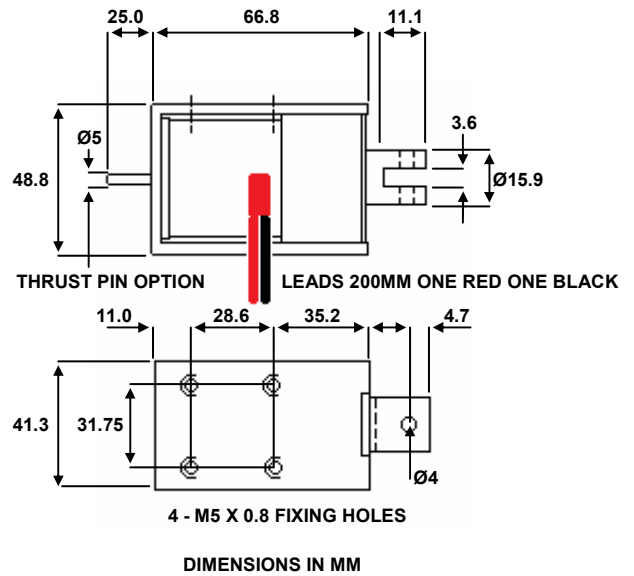
**BLM5  
DC LATCHING SOLENOID**

**Availability**  
DC only  
PULL - THRUST - PULL & THRUST

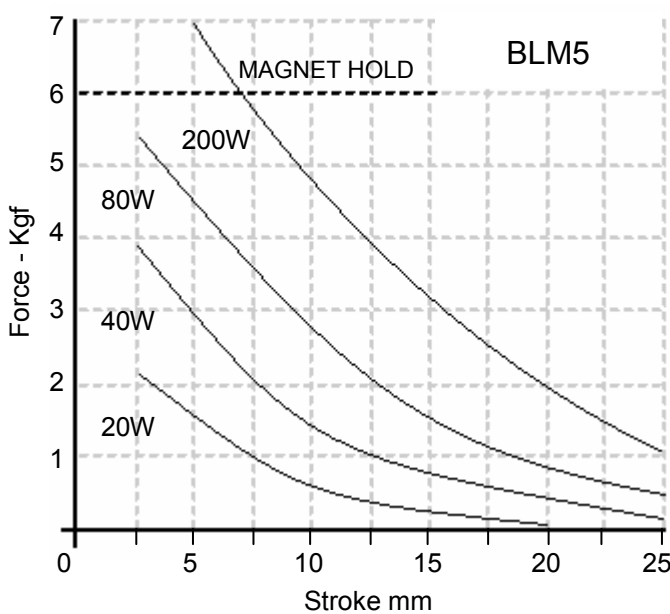
**Solenoid shown in energised position**

Weight complete 553g  
Plunger weight 92g max

Solenoid CLOSSES with **RED** Lead + VE  
Solenoid OPENS with **BLACK** Lead + VE



**BLM5**



Minimum Pulse duration - 100ms  
Delatch power - 2W

Forces shown are at working temperature  
Cold forces are higher

**HE & BS Benson Ltd**

1 Laureate Industrial Estate, Exning Road, Newmarket, Suffolk CB8 0AR  
Tel. +44 (0) 1638 663535 / 663130 Fax. +44 (0) 1638 667434  
sales@hebsbenson.co.uk - technical@hebsbenson.co.uk