

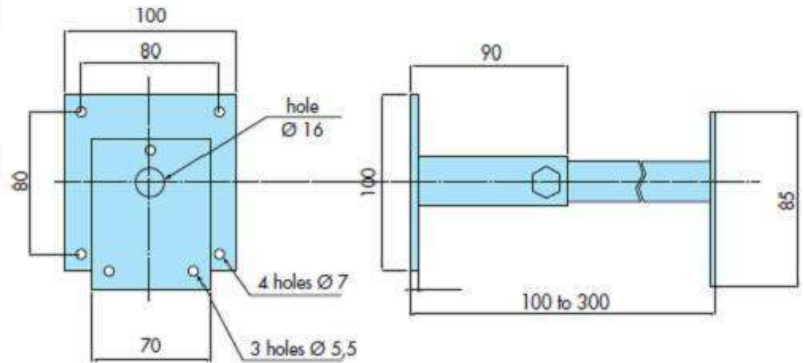
Electromagnetic DOOR HOLDER Accessories

Telescopic bracket wall mounting

AC 912 ME 55



Black galvanised steel bracket .
Adjustable length.
Supplied with screws kit.



Universal bracket

L	ITEMS
150	AC 912 ME 51
250	AC 912 ME 52

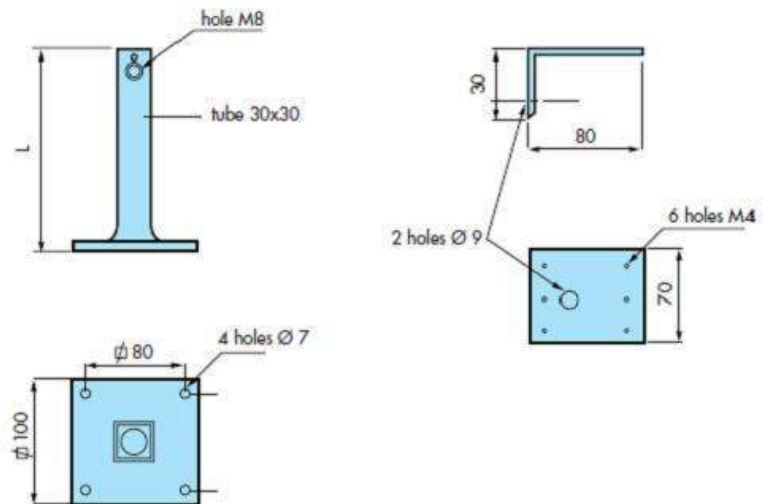


Wall mounting



Floor mounting

Steel bracket.
Colour RAL 9002.
It can be used at wall or at floor.
Supplied with screws kit.



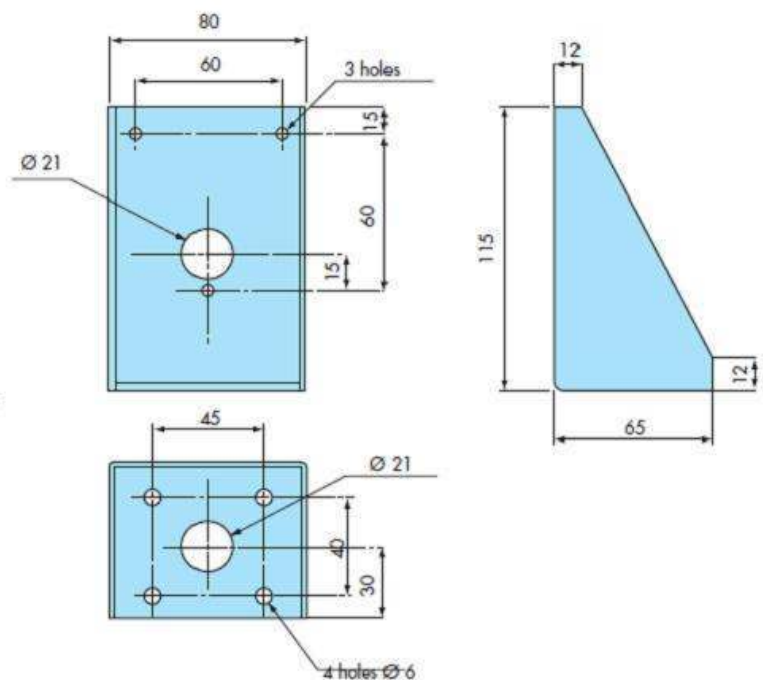
Bracket floor mounting

AC 916 ME 50



Floor mounting

Steel bracket.
Colour RAL 9002.
Supplied kit with screws kit.



Supported by



HE & BS Benson Ltd - 1 Laureate Industrial Estate, Exning Road, Newmarket Suffolk CB8 0AR
Tel. +44(0)1638 663535 / 663130 Fax. +44(0)1638 667434
www.hebsbenson.co.uk sales@hebsbenson.co.uk

Electromagnetic DOOR HOLDER Accessories

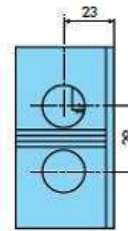
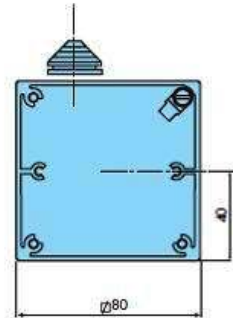
Mounting box length 45 mm.

AC 916.20.07



Wall mounting

To mount series M10200 - M10400 door holders in a surface position.
Box in aluminium with two plastic pass-cables (min 5mm - max 16mm)
Press-tubes are optional



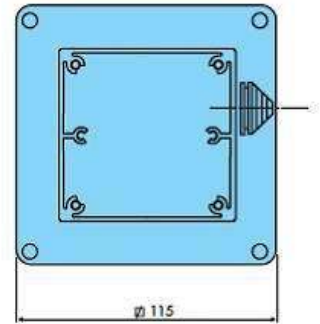
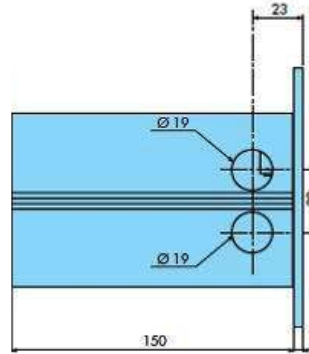
Mounting bracket length 150 mm.

AC 916.20.31



Wall mounting

To mount Series M10200 - M10400 door holders in a surface position
Box in aluminium with two plastic pass-cables (min 5mm - max 16mm)
Press tubes are optional
Length 150mm



Mounting bracket length 250 mm.

AC 916.20.32



Wall mounting

To mount series M10200 - M10400 door holders in a surface position.
Box in aluminium with two plastic pass-cables (min 5mm - max 16mm)
Press tubes are optional
Length 250mm

