

Electromagnetic DOOR HOLDERS

Reinforced aluminium housing - with release button
Floor mounting - IP 52

SERIES M 8400 D



Door holders are generally linked to a fire system that will automatically release the doors in case of fire by switching the power off. If required, it can be also manually operated by the release button.



STANDARD FEATURE

Electromagnetic door holder for fire proof doors, mounted in a reinforced aluminium housing, has a spring loaded device to eliminate the residual magnetism, including the diode of protection, release button and electrical terminal connection.

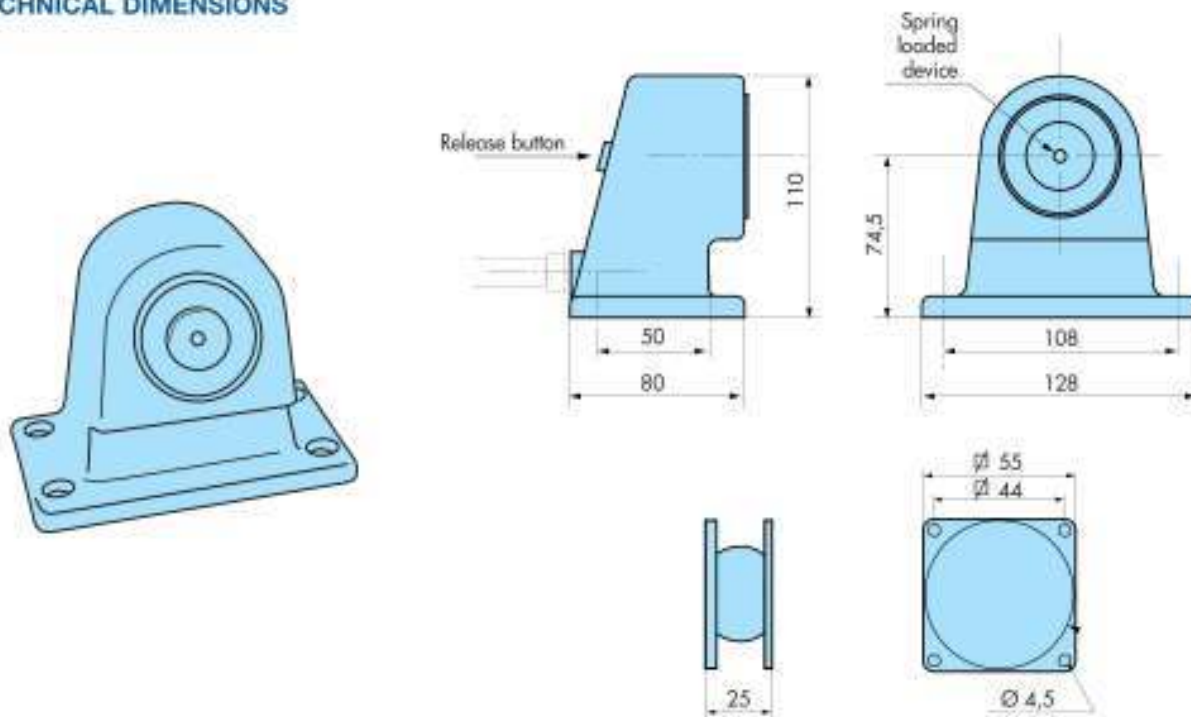
Series M 8400 electromagnetic door holder is specially designed for use in areas of vandalism (school, colleges, public area...) or industrial area (warehouse, exhibition centre, supermarket, hospital...) or can be suited for every type of fire system protection.

Product individually packed with fitting instructions and white galvanised steel amortized flat keeper plate.

TECHNICAL SPECIFICATIONS

Holding force	SERIES M 8400 D	40 daN
Voltage	Available versions :	24 Vdc or 48 Vdc
Nominal power at 20°C	SERIES M 8400 D	2 watt
Electrical protection class		III
Protection rating		IP 52 - EN 60529
Electrical connection		Terminal board
Box colour		Grey RAL 9002 painted steel

TECHNICAL DIMENSIONS



Electromagnetic DOOR HOLDERS
Reinforced aluminium housing - with release button
Floor mounting - IP 52

SERIES

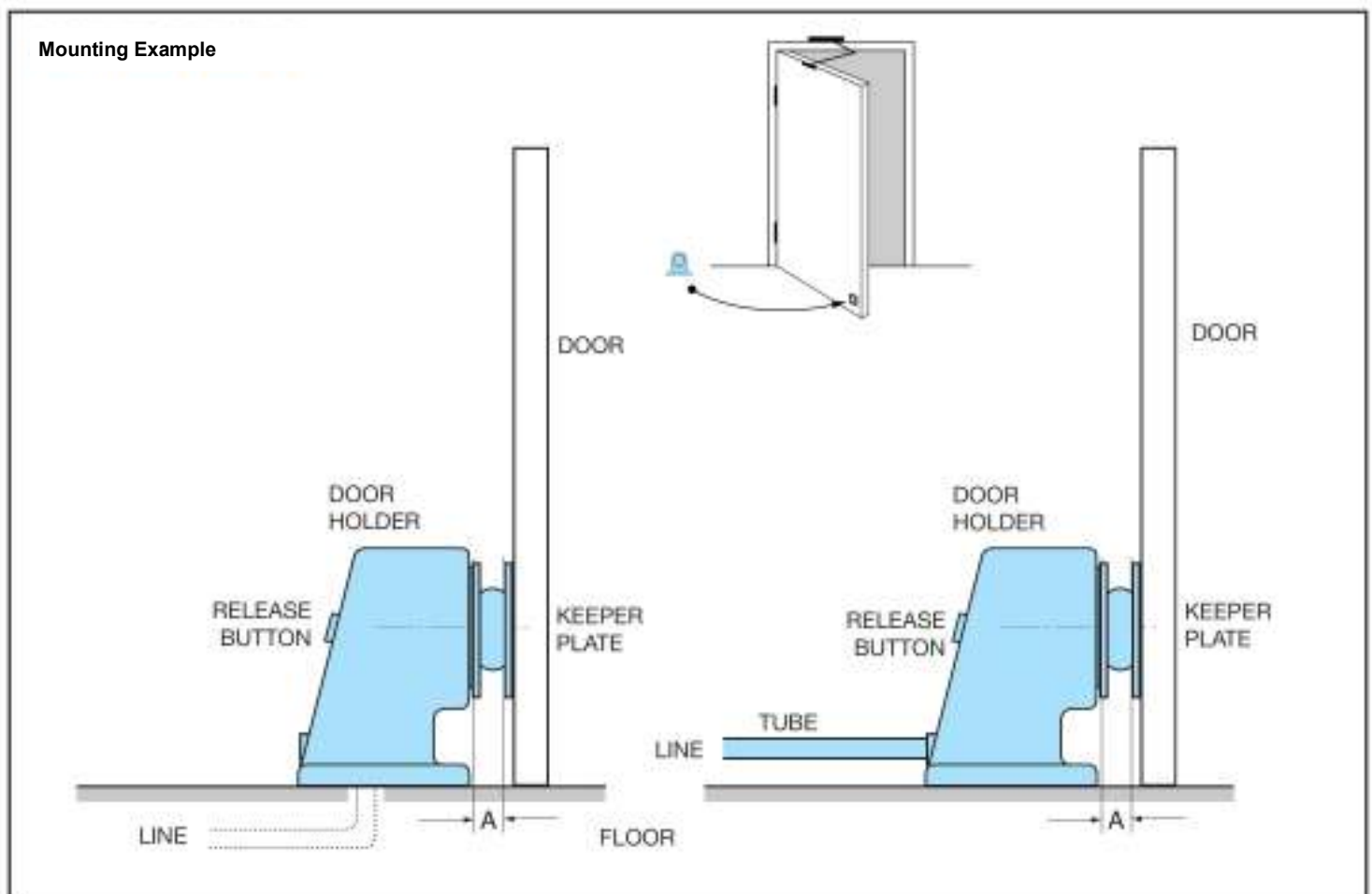
M 8400 D

ITEMS	Holding force	Voltage	Release button	DIODE	Keeper plate
-------	---------------	---------	----------------	-------	--------------

SERIES M 8400 D

M 8412 D	40 daN	24 Vdc	YES	YES	FLAT
M 8422 D	40 daN	48 Vdc	YES	YES	FLAT

Mounting Example



Please note:

It must be possible to release a fire protection door held open by an electromagnet with a hand switch which is not hidden by the door. (not included)

Supported by



HE & BS Benson Ltd - 1 Laureate Industrial Estate, Exning Road, Newmarket Suffolk CB8 0AR
 Tel. +44(0)1638 663535 / 663130 Fax. +44(0)1638 667434
 www.hebsenson.co.uk sales@hebsenson.co.uk