

Electromagnetic DOOR HOLDERS

Reinforced aluminium housing - with release button
Surface mounting - IP 52

SERIES M 9200 D
M 9400 D



Door holders are generally linked to a fire system that will automatically release the doors in case of fire by switching the power off. If required, it can be also manually operated by the release button.



STANDARD FEATURE

Electromagnetic door holder for fire proof doors, mounted in a reinforced aluminium housing, has a spring loaded device to eliminate the residual magnetism, including the diode of protection, release button and electrical terminal connection.

Series M 9200 and M 9400 electromagnetic door holders are specially designed for use in areas of vandalism (school, colleges, public area...) or industrial area (warehouse, exhibition centre, supermarket, hospital...), or can be suited for every type of fire system protection.

Product individually packed with fitting instructions and white galvanised steel amortized flat keeper plate.

TECHNICAL SPECIFICATIONS

Holding force

SERIES M 9200 D	20 daN
SERIES M 9400 D	40 daN

Voltage

Available versions :	24 Vdc or 48 Vdc
Only for SERIES M 9200	115 or 240 Vac

Nominal power at 20°C

SERIES M 9200 D	0,6 watt
SERIES M 9400 D	1,6 watt

Electrical protection class III for 24 or 48 Vdc / I for 115 or 240 Vac

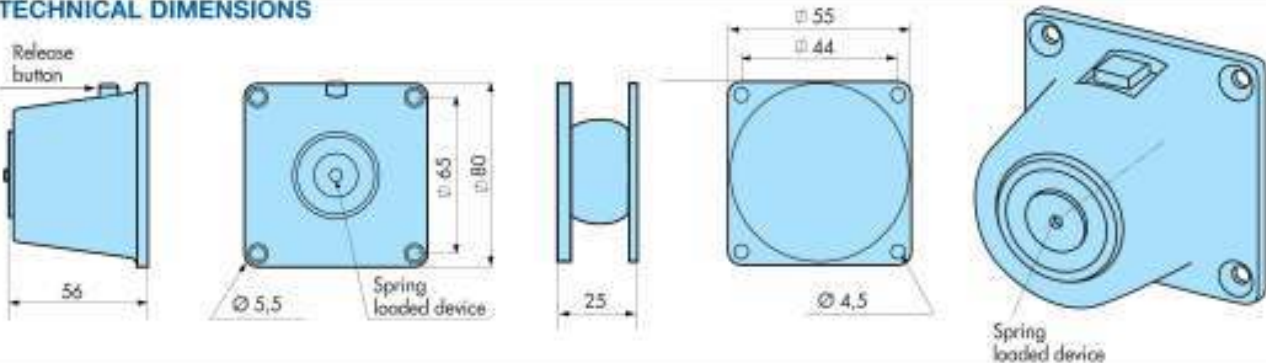
ATTENTION! 115 or 240 Vac units are insulation **class I** and the earth lead must be wired between the earth connector and the earth terminal on the metal mounting box.

Protection rating IP 52 - EN 60529

Electrical connection Terminal board

Box colour Grey RAL 9002 painted steel

TECHNICAL DIMENSIONS



ACCESSORIES FOR SERIES M 9200D - M 9400 D



Series M 9200-M 9400 with AC 916.20.06 - 45 mm



Series M 9200 - M 9400 with AC 916.20.31- 150 mm



Series M 9200 - M 9400 with AC 916.20.32 - 250 mm



Electromagnetic DOOR HOLDERS
Reinforced aluminium housing - with release button
Surface mounting - IP 52

SERIES **M 9200 D**
M 9400 D

ITEMS	Holding force	Voltage	Release button	DIODE	Keeper plate
-------	---------------	---------	----------------	-------	--------------

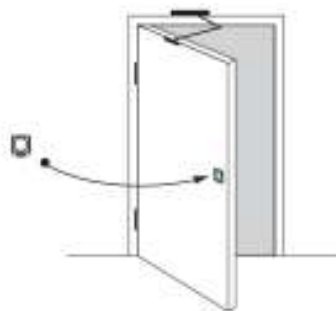
SERIES M 9200 D

M 9212 D	20 daN	24 Vdc	YES	YES	FLAT
M 9222 D	20 daN	48 Vdc	YES	YES	FLAT

SERIES M 9400 D

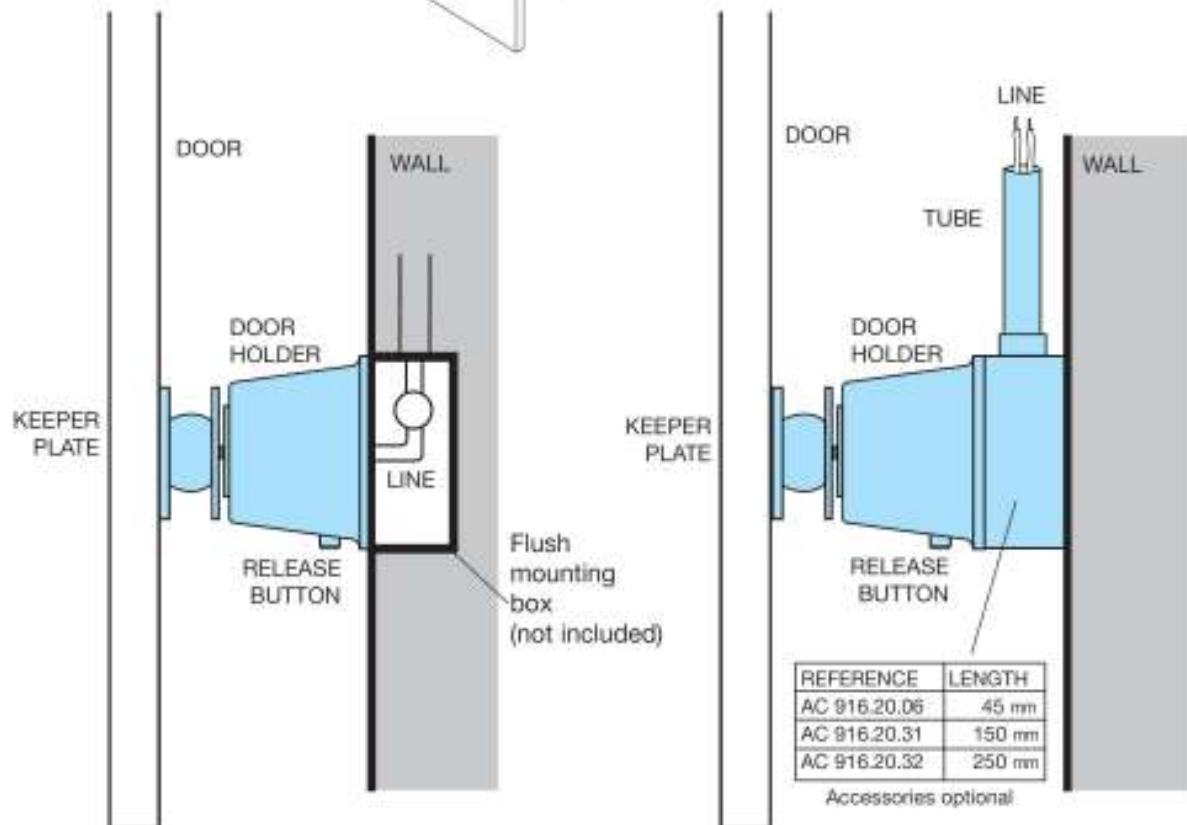
M 9412 D	40 daN	24 Vdc	YES	YES	FLAT
M 9422 D	40 daN	48 Vdc	YES	YES	FLAT

Mounting Example



Please note:

It must be possible to release a fire protection door held open by an electromagnet with a hand switch which is not hidden by the door. (not included)



Supported by



HE & BS Benson Ltd - 1 Laureate Industrial Estate, Exning Road, Newmarket Suffolk CB8 0AR
 Tel. +44(0)1638 663535 / 663130 Fax. +44(0)1638 667434
 www.hebsbenson.co.uk sales@hebsbenson.co.uk