

Electromagnetic DOOR HOLDERS
Steel construction - with release button
Flush mounting

SERIES **M 10200**
M 10400



STANDARD FEATURE

Both models M 10200 and M 10400 of electromagnetic door holders for fire proof doors are in steel construction, have a spring loaded device to eliminate the residual magnetism and a release button. Series M 10200 and 10400 electromagnetic door holders are specially designed for use in areas like exhibition centre or hospitals and hotels.... The M 10200 and M 10400 Series are also with one different available standard specification:

. Series M 10200 D and M 10400 D

Including the PCB circuit with protection diode and two electrical terminal connections.

Both series M 10200 and M 10400 electromagnetic door holders can be suited for every type of fire system protection. Product individually packed with fitting instructions and white galvanised steel amortized flat or swivel keeper plate.

Door holders are generally linked to a fire system that will automatically release the doors in case of fire by switching the power off. If required, it can be also manually operated by the release button.

TECHNICAL SPECIFICATIONS

Holding force

SERIES M 10200 D	20 daN
SERIES M 10400 D	40 daN

Voltage

Available versions:	24 Vdc or 48 Vdc
Only for series M 10200:	115 Vac or 240 Vac

Nominal power at 20°C

SERIES M 10200 D	0,6 watt
SERIES M 10400 D	1,6 watt

Electrical protection class

	III for 24 or 48 Vdc / I for 115 or 240 Vac
--	---

ATTENTION! 115 or 240 Vac units are insulation **class I** and the earth lead must be wired between the earth connector and the earth terminal on the metal mounting box.

Protection rating

IP 42 - EN 60529

Electrical connection

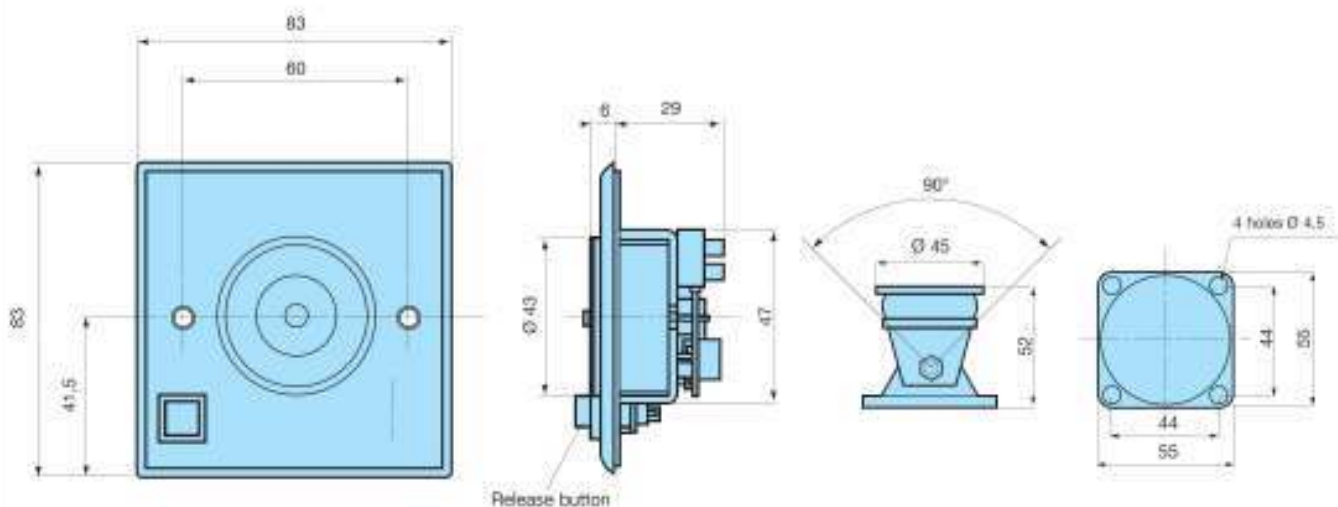
Terminal board

Colour

Gray RAL 9002 painted



TECHNICAL DIMENSIONS



Electromagnetic DOOR HOLDERS
Steel construction - with release button
Flush mounting

SERIES **M 10200**
M 10400

ITEMS	Holding force	Voltage	Release button	PCB DIODE	Keeper plate
-------	---------------	---------	----------------	-----------	--------------

SERIES 10200

M 10211	20 daN	24 Vdc	YES	NO	SWIVEL
M 10221	20 daN	48 Vdc	YES	NO	SWIVEL
M 10281	20 daN	115 Vac	YES	NO	SWIVEL
M 10291	20 daN	240 Vac	YES	NO	SWIVEL
M 10211 D	20 daN	24 Vdc	YES	YES	SWIVEL
M 10221 D	20 daN	48 Vdc	YES	YES	SWIVEL
M 10212	20 daN	24 Vdc	YES	NO	FLAT
M 10222	20 daN	48 Vdc	YES	NO	FLAT
M 10282	20 daN	115 Vac	YES	NO	FLAT
M 10292	20 daN	240 Vac	YES	NO	FLAT
M 10212 D	20 daN	24 Vdc	YES	YES	FLAT
M 10222 D	20 daN	48 Vdc	YES	YES	FLAT

SERIES 10400

M 10411	40 daN	24 Vdc	YES	NO	SWIVEL
M 10421	40 daN	48 Vdc	YES	NO	SWIVEL
M 10411 D	40 daN	24 Vdc	YES	YES	SWIVEL
M 10421 D	40 daN	48 Vdc	YES	YES	SWIVEL
M 10412	40 daN	24 Vdc	YES	NO	FLAT
M 10422	40 daN	48 Vdc	YES	NO	FLAT
M 10412 D	40 daN	24 Vdc	YES	YES	FLAT
M 10422 D	40 daN	48 Vdc	YES	YES	FLAT

