

**Electromagnetic DOOR HOLDERS**  
**Steel construction - with release button**  
**Flush mounting**

**SERIES** **M 10200**  
**M 10400**



**STANDARD FEATURE**

Both models M 10200 and M 10400 of electromagnetic door holders for fire proof doors are in steel construction, have a spring loaded device to eliminate the residual magnetism and a release button.

Series M 10200 and 10400 electromagnetic door holders are specially designed for use in areas like exhibition centre or hospitals and hotels.... The M 10200 and M 10400 Series are also with one different available standard specification:

**. Series M 10200 D and M 10400 D**

Including the PCB circuit with protection diode and two electrical terminal connections.

Both series M 10200 and M 10400 electromagnetic door holders can be suited for every type of fire system protection.

Product individually packed with fitting instructions and white galvanised steel amortized flat or swivel keeper plate.

**TECHNICAL SPECIFICATIONS**

**Holding force**

SERIES M 10200 D	20 daN
SERIES M 10400 D	40 daN

**Voltage**

Available versions:	24 Vdc or 48 Vdc
Only for series M 10200:	115 Vac or 240 Vac

**Nominal power at 20°C**

SERIES M 10200 D	0,6 watt
SERIES M 10400 D	1,6 watt

**Electrical protection class**

	III for 24 or 48 Vdc / I for 115 or 240
--	---

Vac

**ATTENTION!** 115 or 240 Vac units are insulation **class I** and the earth lead must be wired between the earth connector and the earth terminal on the metal mounting box.

**Protection rating**

IP 42 - EN 60529

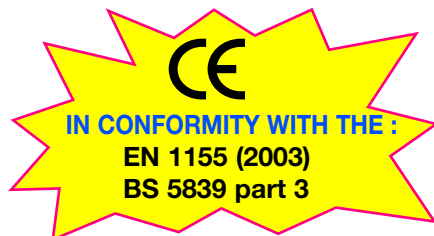
**Electrical connection**

Terminal board

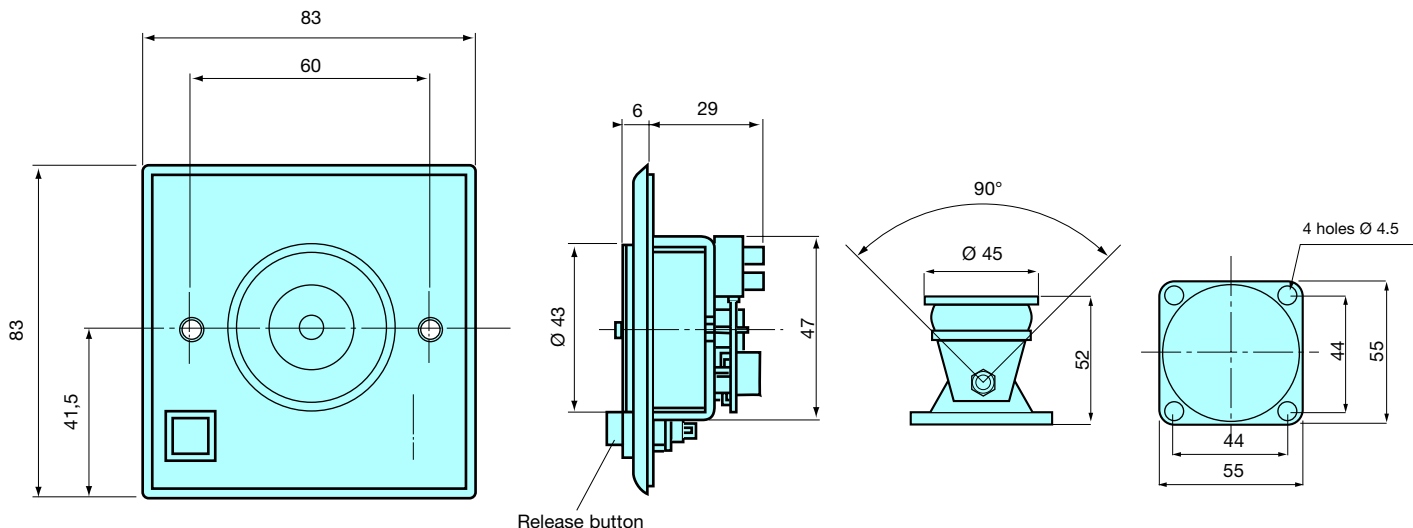
**Colour**

Gray RAL 9002 painted

Door holders are generally linked to a fire system that will automatically release the doors in case of fire by switching the power off. If required, it can be also manually operated by the release button.



**TECHNICAL DIMENSIONS**



**Electromagnetic DOOR HOLDERS**  
**Steel construction - with release button**  
**Flush mounting**

SERIES **M 10200**  
**M 10400**

ITEMS	Holding force	Voltage	Release button	PCB DIODE	Keeper plate
-------	---------------	---------	----------------	-----------	--------------

**SERIES 10200**

<b>M 10211</b>	20 daN	24 Vdc	YES	NO	SWIVEL
<b>M 10221</b>	20 daN	48 Vdc	YES	NO	SWIVEL
<b>M 10281</b>	20 daN	115 Vac	YES	NO	SWIVEL
<b>M 10291</b>	20 daN	240 Vac	YES	NO	SWIVEL
<b>M 10211 D</b>	20 daN	24 Vdc	YES	YES	SWIVEL
<b>M 10221 D</b>	20 daN	48 Vdc	YES	YES	SWIVEL
<b>M 10212</b>	20 daN	24 Vdc	YES	NO	FLAT
<b>M 10222</b>	20 daN	48 Vdc	YES	NO	FLAT
<b>M 10282</b>	20 daN	115 Vac	YES	NO	FLAT
<b>M 10292</b>	20 daN	240 Vac	YES	NO	FLAT
<b>M 10212 D</b>	20 daN	24 Vdc	YES	YES	FLAT
<b>M 10222 D</b>	20 daN	48 Vdc	YES	YES	FLAT

**SERIES 10400**

<b>M 10411</b>	40 daN	24 Vdc	YES	NO	SWIVEL
<b>M 10421</b>	40 daN	48 Vdc	YES	NO	SWIVEL
<b>M 10411 D</b>	40 daN	24 Vdc	YES	YES	SWIVEL
<b>M 10421 D</b>	40 daN	48 Vdc	YES	YES	SWIVEL
<b>M 10412</b>	40 daN	24 Vdc	YES	NO	FLAT
<b>M 10422</b>	40 daN	48 Vdc	YES	NO	FLAT
<b>M 10412 D</b>	40 daN	24 Vdc	YES	YES	FLAT
<b>M 10422 D</b>	40 daN	48 Vdc	YES	YES	FLAT

