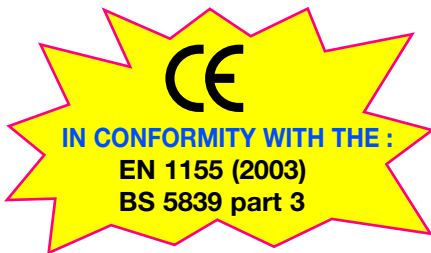


Electromagnetic DOOR HOLDERS
Steel box pass-cables
with release button - surface mounting

SERIES **M 5200**
M 5400



Door holders are generally linked to a fire system and that will automatically release the doors in case of fire by switching the power off. If required, it can be also manually operated by the release button.



STANDARD FEATURE

Both models M 5200 and M 5400 of electromagnetic door holders for fire proof doors are in a steel box, have a spring loaded device to eliminate the residual magnetism, release button and two plastic pass-cables on the top.

The M 5200 and M 5400 are also available with two different standard specifications:

. Series M 5200 D and M 5400 D

Including the PCB circuit with protection diode and two electrical terminal connections.

. Series M 5200 A and M 5400 A

Including the PCB circuit with the monitoring state of the fire proof door and electrical terminal connection.

Both M 5200 and M 5400 electromagnetic door holders can be suited for every type of fire system protection.

Product individually packed with fitting instructions and white galvanised steel amortized flat or swivel keeper plate.

TECHNICAL SPECIFICATIONS

Holding force

SERIES M 5200 20 daN

SERIES M 5400 40 daN

Voltage

Available versions : 24 Vdc or 48 Vdc

Nominal power at 20°C

SERIES M 5200 0.6 watt

SERIES M 5400 1,6 watt

Electrical protection class

III

Protection rating

IP 42 - EN 60529

Electrical connection

Terminal board

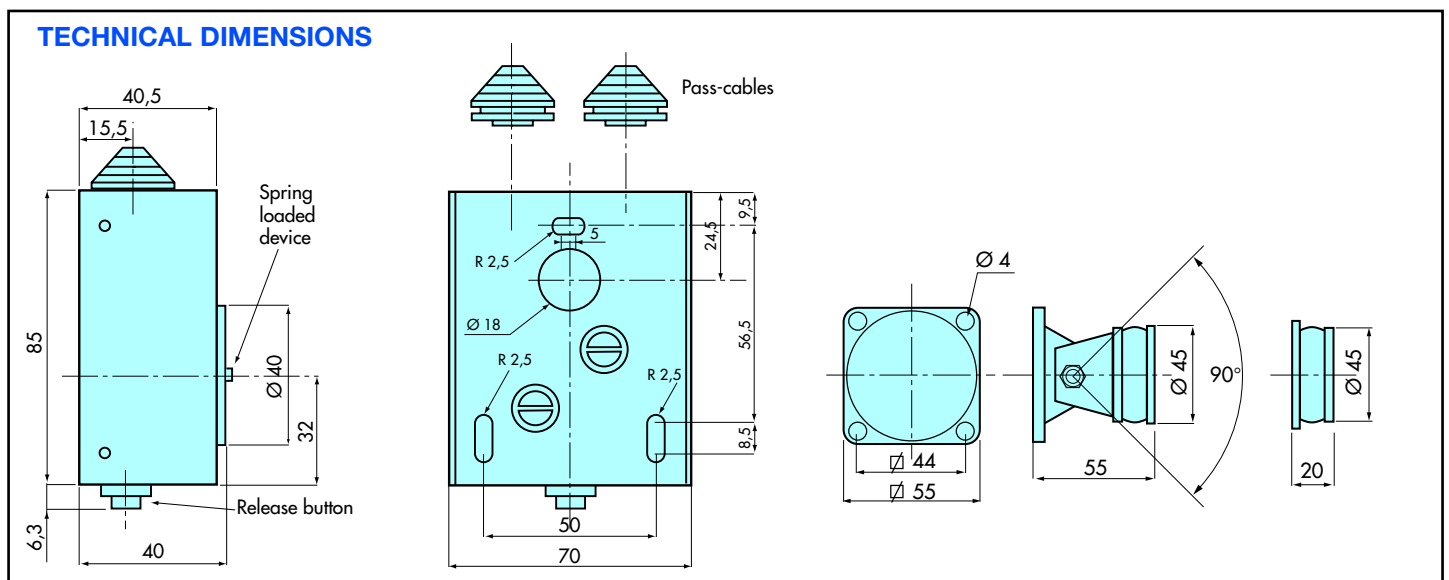
Box colour

Grey RAL 9002 painted steel

ACCESSORIES :

- **AC 912ME51** Universal mounting bracket length 150mm to mount the door holder in a "wall" or "floor" position, allows the passage of power cables. Body in grey RAL 9002 painted steel.

- **AC 912ME52** Universal mounting bracket length 250mm to mount the door holders in a "wall" or "floor" position, allows the passage of power cables. Body in grey RAL 9002 painted steel.



Electromagnetic DOOR HOLDERS
Steel box pass-cables
with release button - surface mounting

SERIES **M 5200**
M 5400

ITEMS	Holding force	Voltage	Release button	PCB DIODE	Monitoring fire door position	Pass-cables mini 5 mm maxi 16 mm	Keeper plate
-------	---------------	---------	----------------	-----------	-------------------------------	----------------------------------	--------------

SERIES 5200

M 5211	20 daN	24 Vdc	YES	NO	NO	YES	SWIVEL
M 5221	20 daN	48 Vdc	YES	NO	NO	YES	SWIVEL
M 5211 D	20 daN	24 Vdc	YES	YES	NO	YES	SWIVEL
M 5221 D	20 daN	48 Vdc	YES	YES	NO	YES	SWIVEL
M 5211 A	20 daN	24 Vdc	YES	NO	YES	YES	SWIVEL
M 5221 A	20 daN	48 Vdc	YES	NO	YES	YES	SWIVEL
M 5212	20 daN	24 Vdc	YES	NO	NO	YES	FLAT
M 5222	20 daN	48 Vdc	YES	NO	NO	YES	FLAT
M 5212 D	20 daN	24 Vdc	YES	YES	NO	YES	FLAT
M 5222 D	20 daN	48 Vdc	YES	YES	NO	YES	FLAT
M 5212 A	20 daN	24 Vdc	YES	NO	YES	YES	FLAT
M 5222 A	20 daN	48 Vdc	YES	NO	YES	YES	FLAT

SERIES 5400

M 5411	40 daN	24 Vdc	YES	NO	NO	YES	SWIVEL
M 5421	40 daN	48 Vdc	YES	NO	NO	YES	SWIVEL
M 5411 D	40 daN	24 Vdc	YES	YES	NO	YES	SWIVEL
M 5421 D	40 daN	48 Vdc	YES	YES	NO	YES	SWIVEL
M 5411 A	40 daN	24 Vdc	YES	NO	YES	YES	SWIVEL
M 5421 A	40 daN	48 Vdc	YES	NO	YES	YES	SWIVEL
M 5412	40 daN	24 Vdc	YES	NO	NO	YES	FLAT
M 5422	40 daN	48 Vdc	YES	NO	NO	YES	FLAT
M 5412 D	40 daN	24 Vdc	YES	YES	NO	YES	FLAT
M 5422 D	40 daN	48 Vdc	YES	YES	NO	YES	FLAT
M 5412 A	40 daN	24 Vdc	YES	NO	YES	YES	FLAT
M 5422 A	40 daN	48 Vdc	YES	NO	YES	YES	FLAT

MOUNTING EXEMPLE

