

## CHARACTERISTICS FORCE / STROKE

The curves give the magnetic force according to the position of the plunger noted in following conditions :

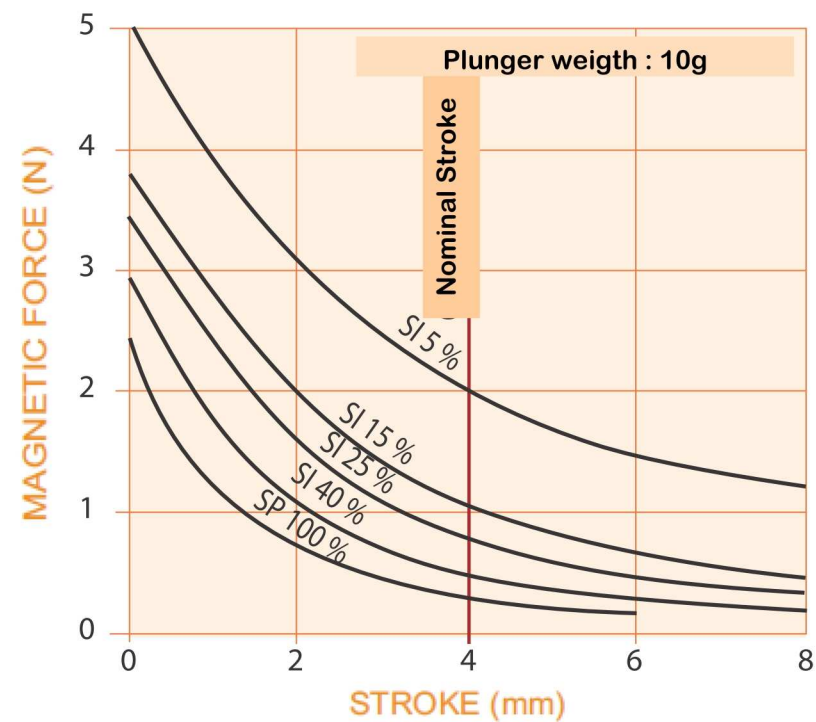
- Ambient temperature : 35°C
- Coil stabilised at working temperature
- Supply voltage : 90% of nominal voltage

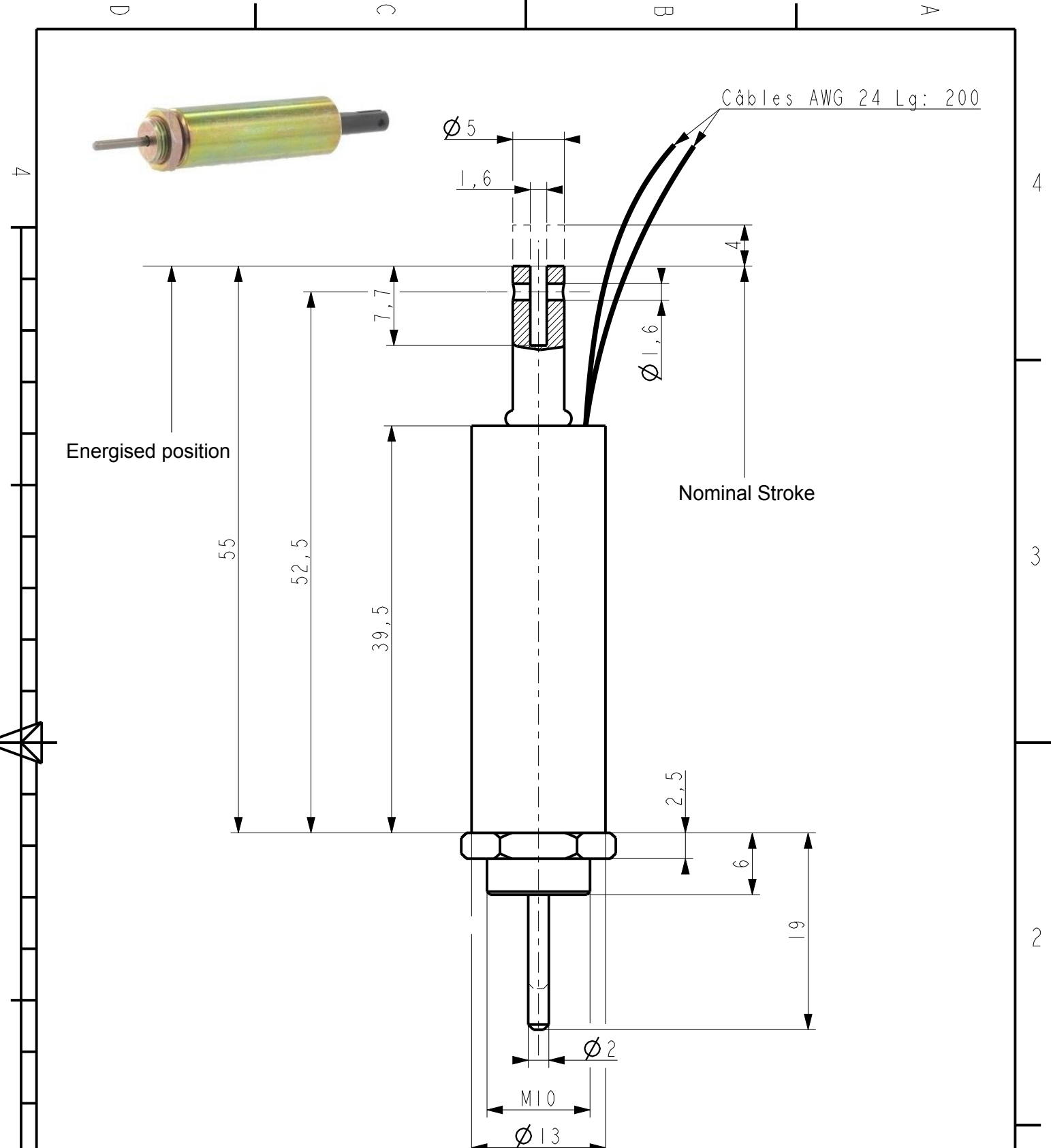
*The available force is obtained by adding or subtracting the plunger weight to the magnetic force.*

The indicated powers are those consumed by the coil at 20°C and rated voltage.



| Duty cycle                   |                        | 100% | 40% | 25% | 15% | 5%  |
|------------------------------|------------------------|------|-----|-----|-----|-----|
| Maxi consumption at 20°C (W) |                        | 4    | 8   | 13  | 17  | 40  |
| Attraction duration (ms)     |                        | 40   | 40  | 38  | 35  | 35  |
| Return duration (ms)         |                        | 30   | 30  | 30  | 25  | 25  |
| L / R (ms)                   | At beginning of stroke | 1.5  | 1.5 | 1.5 | 1.5 | 1.5 |
|                              | At end of stroke       | 4    | 4   | 4   | 4   | 3   |

Reference cycle duration : 2mn





| Ind | DATES    | MODIFICATIONS            | PAR      | Ind | DATES | MODIFICATIONS | PAR |
|-----|----------|--------------------------|----------|-----|-------|---------------|-----|
| A   | 17.07.12 | Mise à jour sortie cable | TABALLET |     |       |               |     |

|   |  |                               |  |
|---|--|-------------------------------|--|
|   |  | <h3>CYLINDRICAL SOLENOID</h3> |  |
| 8 RUE GALVANI-BP 35-91301 MASSY Cedex.TEL 01.69.32.74.00  |  |                               |  |
| DESSINE PAR: JOPHE<br>VERIFIE PAR:  |  | Le: 20.04.11<br>Le:           |  |
| ECHELLE: 1  |  | FEUILLE N° 1/1                |  |
| N° PROTO  |  | PC                            |  |
| FORMAT A4   |  | 8.02.13.62                    |  |