

CHARACTERISTICS FORCE / STROKE

The curves give the magnetic force according to the position of the plunger noted in following conditions :

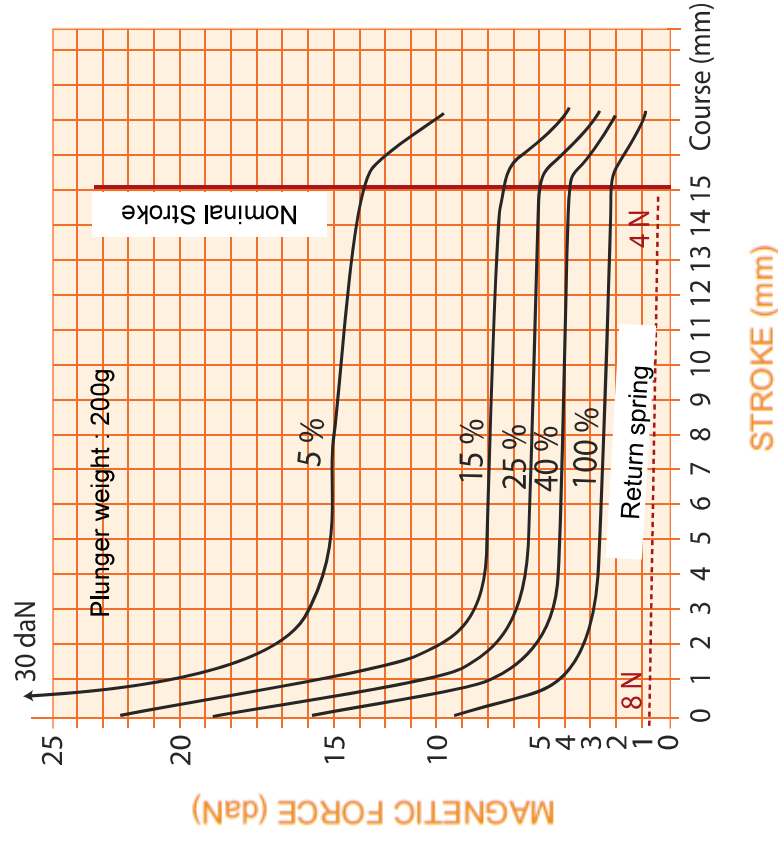
- Ambient temperature : 35°C
- Coil stabilised at working temperature
- Supply voltage : 90% of nominal voltage

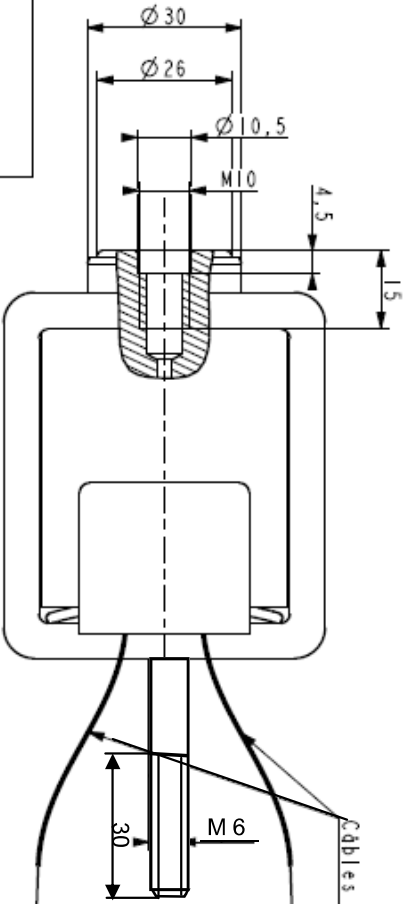
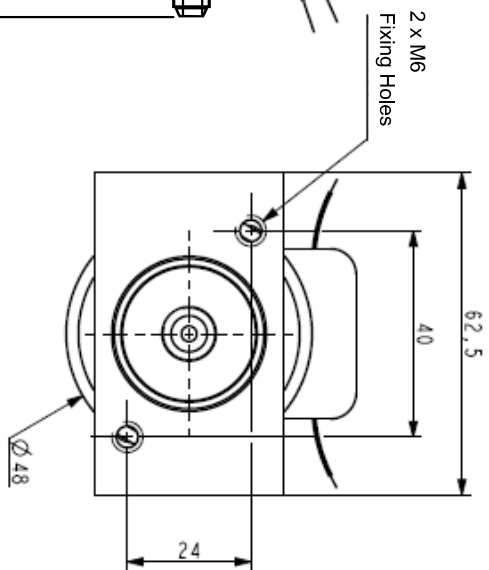
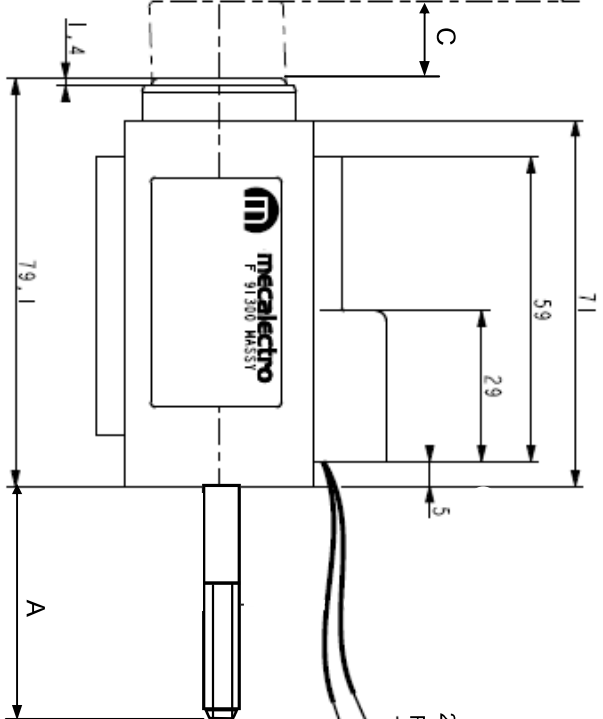
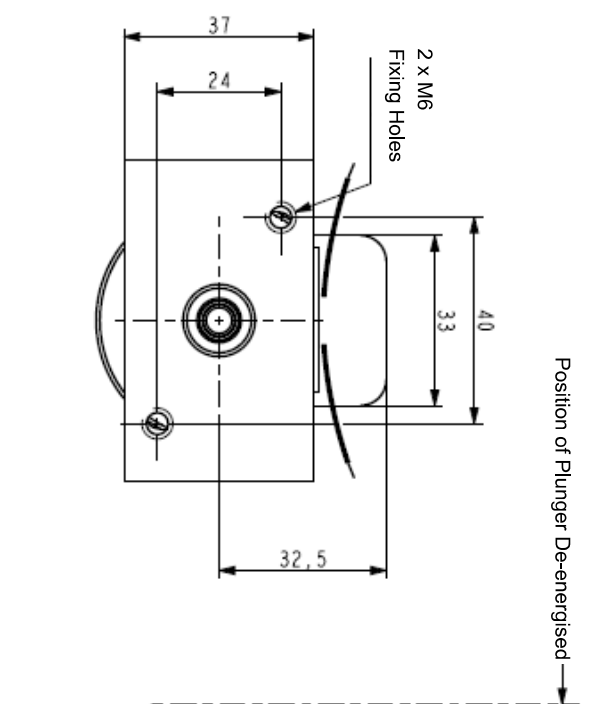
The available force is obtained by adding or subtracting the plunger weight to the magnetic force.

The indicated powers are those consumed by the coil at 20°C and rated voltage.

Duty cycle		100%	40%	25%	15%	5%
Maxi consumption at 20°C (W)		23	55	85	140	400
Attraction duration (ms)		140	140	135	130	120
Return duration (ms)	Direct current	90	75	70	65	60
	Alternative current	160	130	120	110	95
L / R (ms)		At beginning of stroke	20	20	20	20
		At end of stroke	65	55	45	40

Reference cycle duration : 2mn





Supply Code			
DC Supply	AC Supply	A	C
8.23.80.64	8.23D.80.64	45	15

nd	DATES	MODIFICATIONS	PAR	nd	DATES	MODIFICATIONS	PAR

8 RUE GALVANI-BP 35-91361 MASSY Cedex, TEL 01.69.32.74.00

meccallectro

DESIGNE PAR: JOFRE Le: 23.12.10

VERIFIE PAR: Le: 1/1

INDUSTRIAL SOLENOID

N° PROTO

FORMAT PC

8.23x.80.64