

BEM10 ELECTROMAGNET Holding Power OFF



This magnet exerts a holding force POWER OFF, of approximately 15 Kgf perpendicular to the steel catch plate with which it is in contact.

The catch plate is connected to the body magnetically without voltage and therefore without power consumption.

The body is released from the catch plate by powering (electrical pulse) to cancel the magnetic field of the magnet.

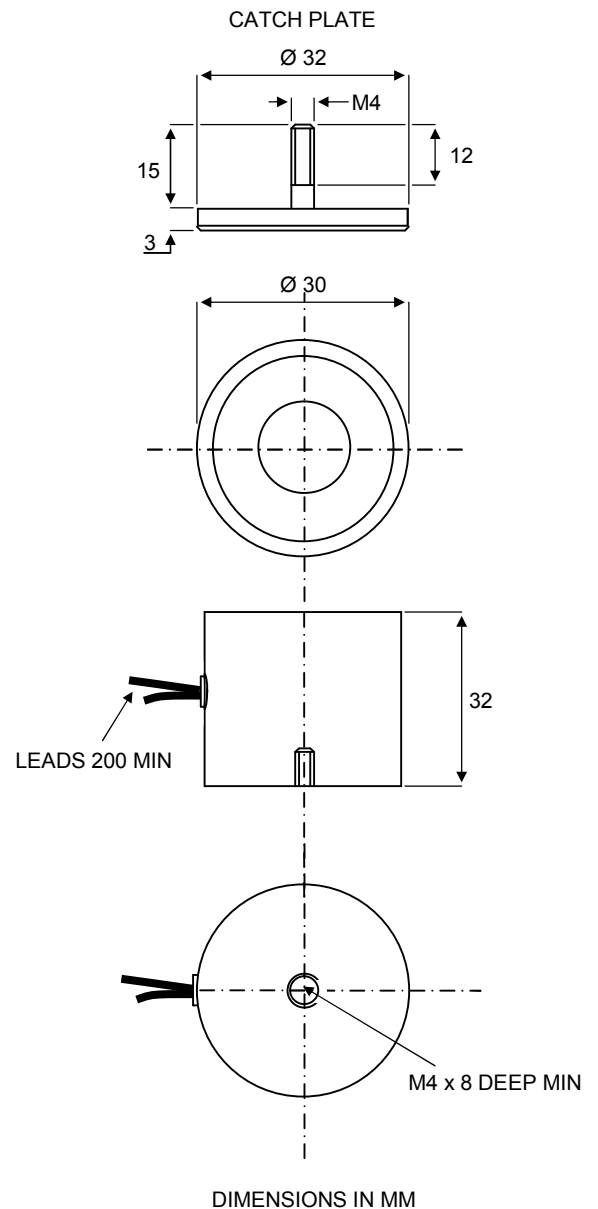
Voltage range: 12V - 110V DC

Power: 3.5W

Supply: DC or full-wave rectified AC

Weight: 500g

Supplied with catch plate



HE & BS Benson Ltd
1 Laureate Industrial Estate
Exning Road
Newmarket
Suffolk UK
CB8 0AR

T. +44(0)1638 663535 – 663130
F. +44(0)1638 667434
E. sales@hebsbenson.co.uk
www.hebsbenson.co.uk

