



## BEM4 ELECTROMAGNET Holding Power ON

This magnet exerts a holding force of approximately 40 Kgf perpendicular to any steel plate (see accessories) with which it is in contact, assuming nominal voltage, and coil at working temperature rise of 60°C in an ambient of 20°C.

For this hold, the steel plate should be not less than 5 mm thick.

(Note that a magnet has little resistance to a sliding force)

Voltage range 6 - 240 DC.

Power consumption 4 Watts.

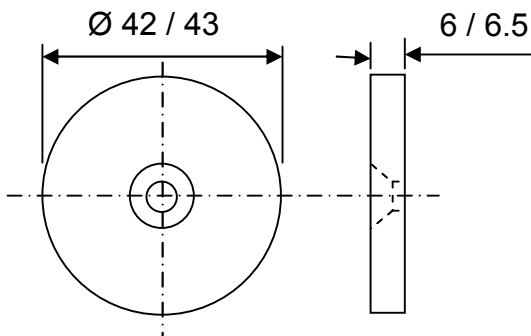
Supply - DC or full-wave rectified AC.

The low wattage and temperature rise give maximum reliability and minimum power consumption on the remote control latches, shutters, fire doors etc. to which this magnet is frequently applied.

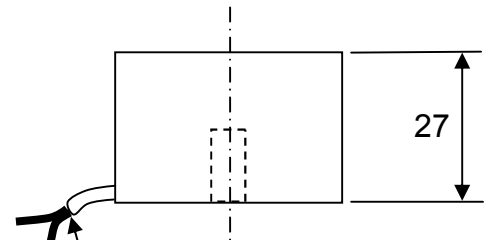
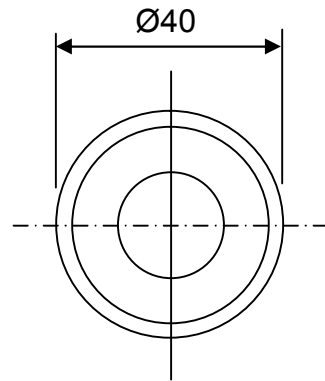
Weight 200g.

### ACCESSORIES

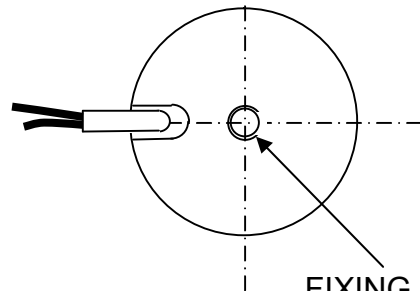
#### Catch Plate **2697**



Fix with M5 countersink screw , ( not supplied ).



LEADS 200  
FREE LENGTH



FIXING HOLE  
M6 x 12.7 DEEP  
FULL THREAD.

Dimensions in mm.

HE & BS Benson Ltd  
1 Laureate Industrial Estate  
Exning Road  
Newmarket  
Suffolk UK  
CB8 0AR

T. +44(0)1638 663535 – 663130  
F. +44(0)1638 667434  
E. sales@hebsbenson.co.uk  
www.hebsbenson.co.uk

