



BEM3 ELECTROMAGNET Holding Power ON

This magnet exerts a holding force of approximately 12 Kgf perpendicular to any steel plate (see accessories) with which it is in contact, assuming nominal voltage, and coil at working temperature rise of 60°C in an ambient of 20°C.

For this hold, the steel plate should be not less than 4 mm thick.

(Note that a magnet has little resistance to a sliding force).

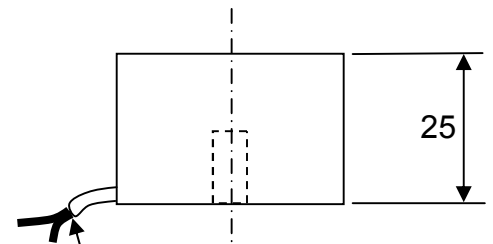
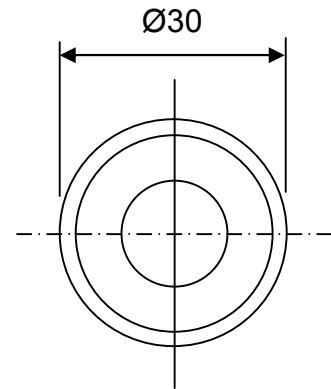
Voltage range 6 - 240 DC.

Power consumption 2.5 Watts.

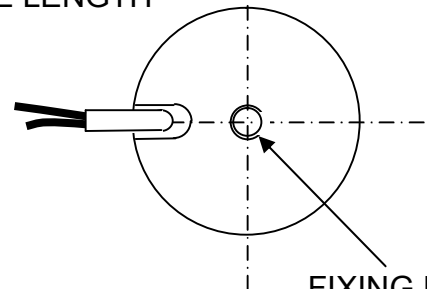
Supply - DC or full-wave rectified AC.

The low wattage and temperature rise give maximum reliability and minimum power consumption on the remote control latches, shutters, fire doors etc. to which this magnet is frequently applied.

Weight 100g.



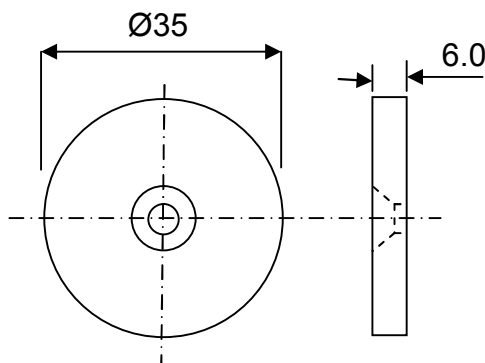
LEADS 200
FREE LENGTH



FIXING HOLE
M6 x 12.7 DEEP
FULL THREAD.

Dimensions in mm.

Catch Plate 2744



Fix with M5 countersink screw, (not supplied).

HE & BS Benson Ltd
1 Laureate Industrial Estate
Exning Road
Newmarket
Suffolk UK
CB8 0AR

T. +44(0)1638 663535 — 663130
F. +44(0)1638 667434
E. sales@hebsbenson.co.uk
www.hebsbenson.co.uk

