



FIRE PROTECTION

M12212 – 22 (M10200)

Electromagnetic FIRE DOOR HOLDERS Flush Mounting IP42

Door holders are generally linked to a fire system that will automatically release the doors in case of a fire by switching the power off. If required, it can also be manually operated by the release button.

STANDARD FEATURE

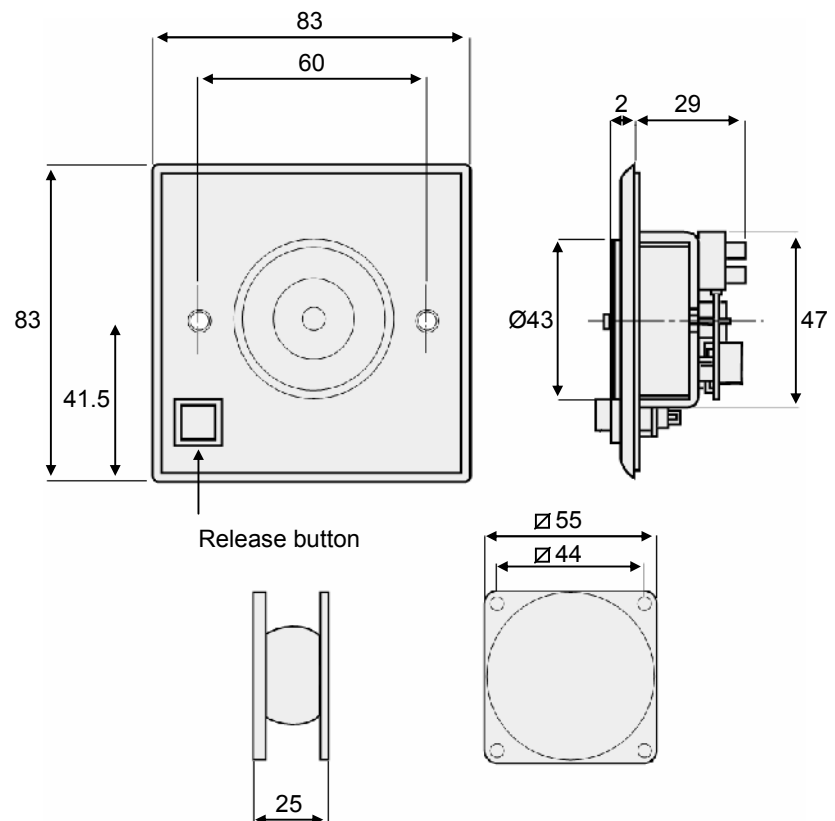
Fire proof door holders in a steel construction, with a spring loaded device to eliminate residual magnetism, release button, two electrical terminal connections and two plastic cable glands. Suited for every type of fire protection system. Complete with fitting instructions and flat keeper plate.

TECHNICAL SPECIFICATIONS

Holding Force - **20Kgf**
 Voltage - **24VDC or 48VDC**
 Nominal power at 20°C - **0.6W**
 Protection Class - **III**
 Protection Rating - **IP42 EN60529**
 Electrical Connection - **Terminal Board**
 Box Colour - **Grey RAL 9002 painted steel**

**In Conformity with standards NF S 61.937
and IN 1155**

ITEM	Holding Force	Voltage	Keeper Plate
M12212	20 Kgf	24VDC	FLAT
M12222	20 Kgf	48VDC	FLAT



Dimensions in mm