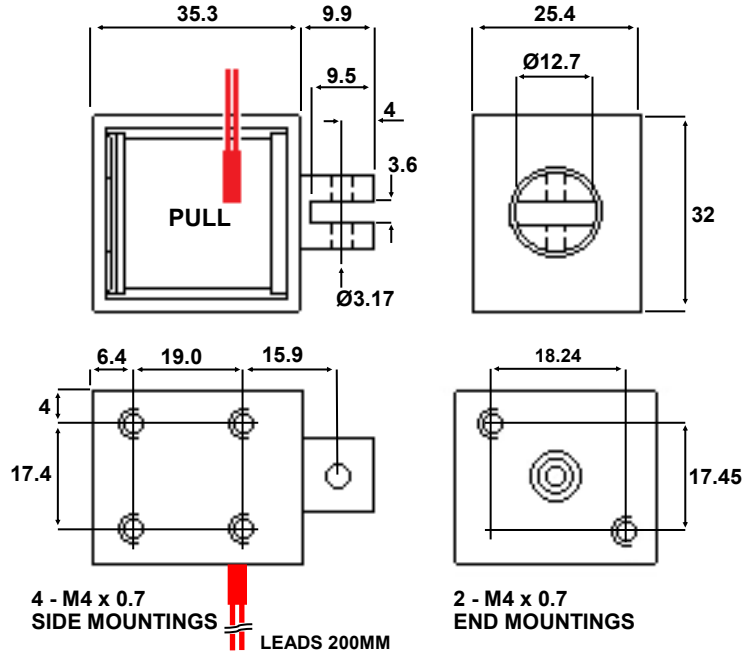


B3 AC & DC LINEAR SOLENOID

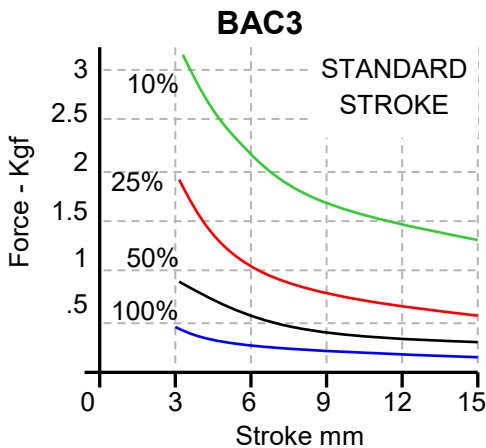
Equivalent to BLP 41 Series
Pull Type
 41 120 610 540 = BDC3/203/6/100%
 41 120 610 620 = BDC3/204/12/100%
 41 120 610 720 = BDC3/205/24/100%

Solenoid shown in energised position

Weight complete 156g
 Plunger weight 35g max

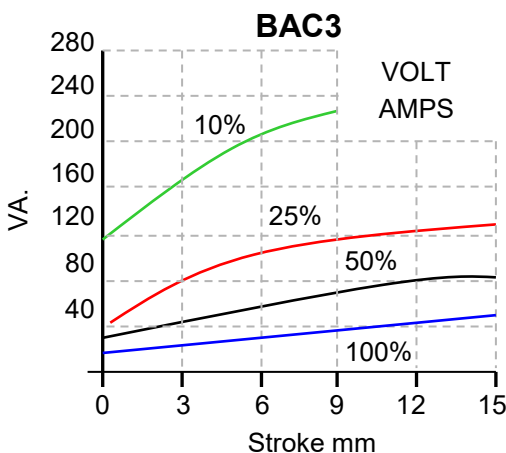
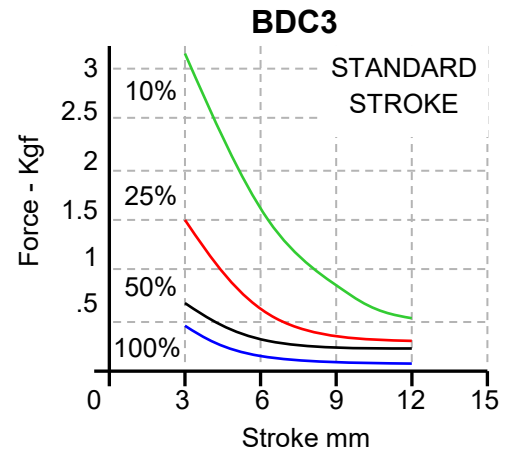


DIMENSIONS IN MM

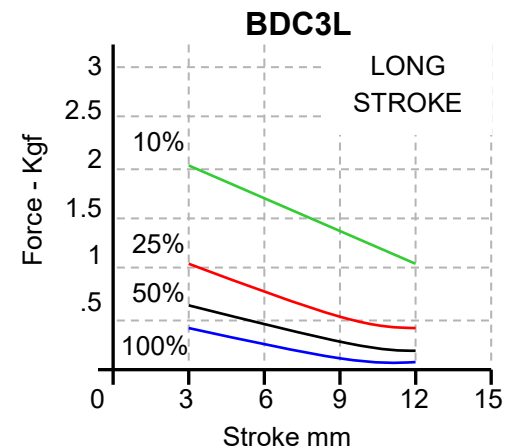


Forces shown are at working temperature
 Cold forces are higher

AC Closed VA
 100% Rtg = 9VA
 50% Rtg = 20VA
 25% Rtg = 40VA
 10% Rtg = 100VA



DC Watts
 100% Rtg = 6.5W
 50% Rtg = 13W
 25% Rtg = 26W
 10% Rtg = 65W



** Please note: Fixing, plunger coupling, thrust rods and lead length can all be customised **
 We reserve the right to alter or amend designs without prior notice.

HE & BS Benson Ltd

1 Laureate Industrial Estate, Exning Road, Newmarket, Suffolk UK CB8 0AR

T. +44(0)1638 663535 — 663130 F. +44(0)1638 667434 E. sales@hebsbenson.co.uk www.hebsbenson.co.uk