



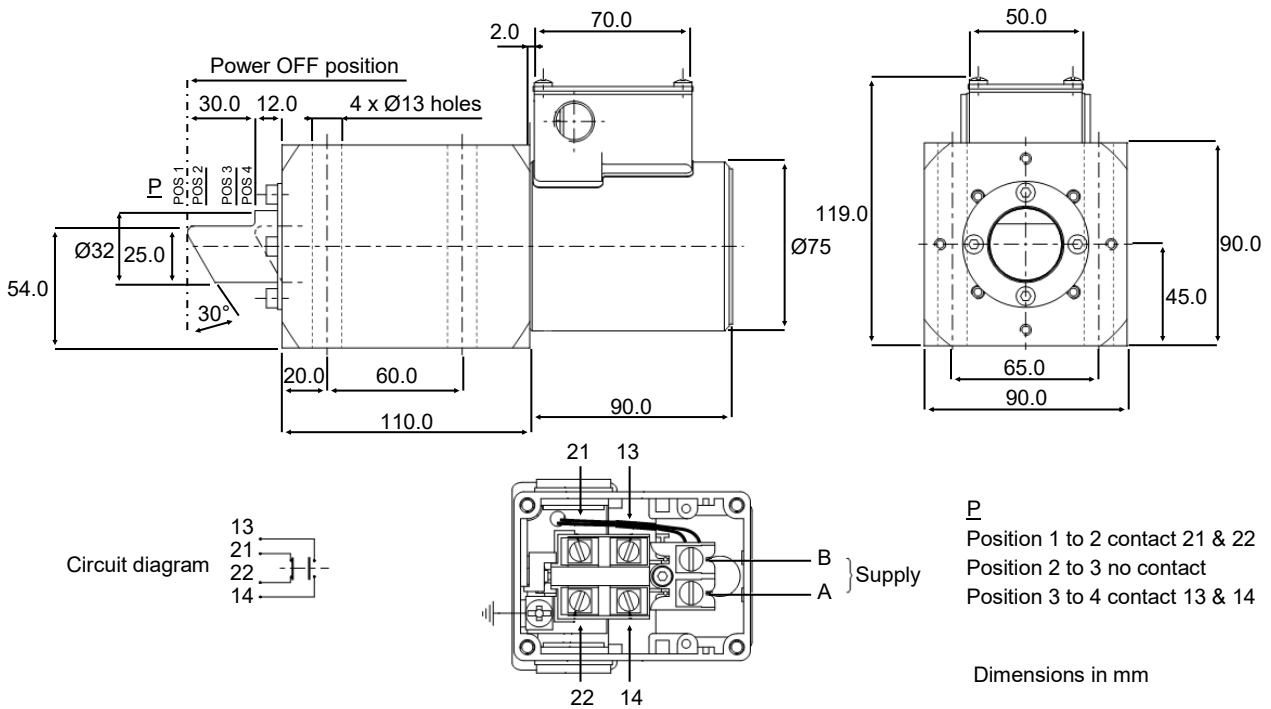
**B.30
SHOTBOLT SOLENOID
LOCKING POWER OFF
WITH POSITION MONITORING
IP54**

BDC.30PM54 and BAC.30PM54

Maximum radial force: **4000kg**
 Plunger output and input force: **2Kg**
 Stroke: **30mm**
 Standard voltage: **24V DC - 230V AC (-10%, +5%)**
 Possible voltages: **12V - 220V DC / 110V AC - 230V AC (-10%, +5%)**
 Power: **DC=110W, AC=75W**
 Operating mode: **Intermittent service**
 Duty cycle: **DC=40% - 5mn, AC=50%-10mn**
 Protection: **IP54**
 Position monitoring with NC safety switch
 Return spring: **Internal**
 According to standards: **EN 60947-5-1**
 AC 15 : 240 / 3A
 DC 13 : 24V / 0.55A (L/R = 75ms)
 Service operating temperature: **-5°C, +40°C**
 Temperature rating: **B**
 Total weight: **5.5Kg**

Example of use: Securing dangerous machines according to standards EN292, EN1088, EN60204-1 and EN60947-5-1

Locking and interlocking movable guards on hazardous machines.
 Secure zone access.
 Anti-run-back stop on hydraulic freight elevator.
 Security stop on elevator or lift table, levelling stop on freight elevator.



We reserve the right to alter or amend designs without prior notice.

B30PM54 Rev 2 - 2017

HE & BS Benson Ltd

1 Laureate Industrial Estate, Exning Road, Newmarket, Suffolk UK CB8 0AR

T. +44(0)1638 663535 — 663130 F. +44(0)1638 667434 E. sales@hebsenson.co.uk www.hebsenson.co.uk