

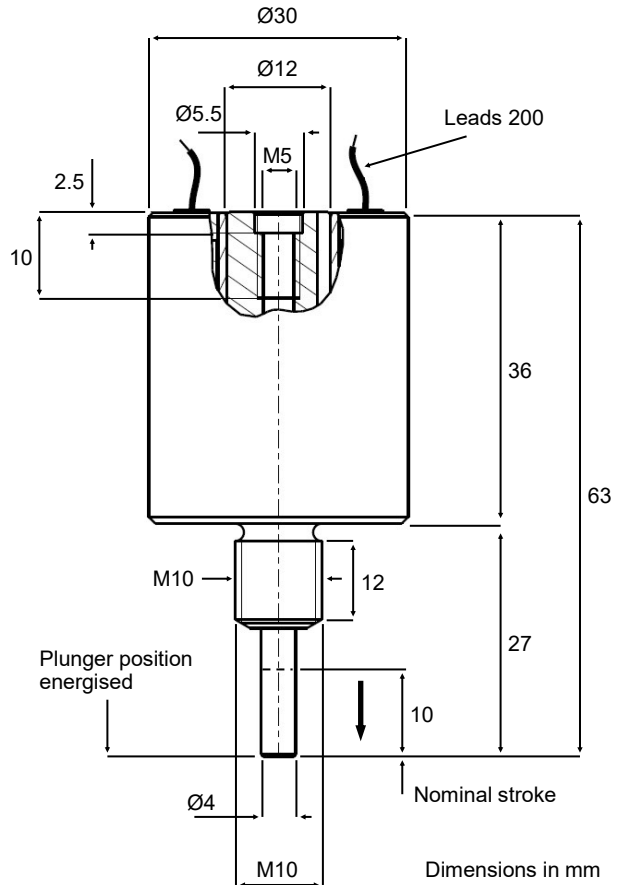


**CLP10  
INDUSTRIAL SOLENOID  
8.10.BA.83**

**Availability**  
For DC only.  
Stroke 10mm  
Pull or Push  
Standard voltage 24V DC  
Possible Voltage 12 - 220v DC  
IP40

**Solenoid shown in energised position**

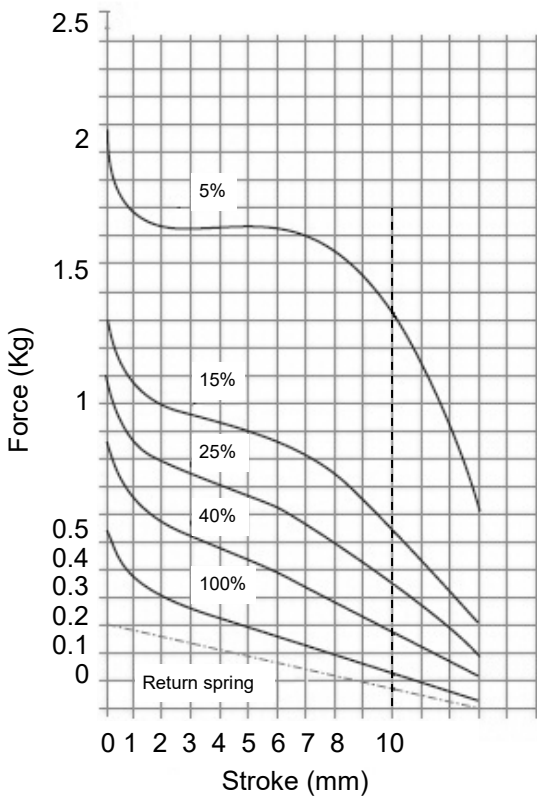
**Weight complete 200g  
Plunger weight 30g**



Forces shown are at working temperature  
Cold forces are higher

**DC Watts**

- Cont Rtg = 8.5W
- 40% Rtg = 18W
- 25% Rtg = 26W
- 15% Rtg = 40W
- 5% Rtg = 110W



We reserve the right to alter or amend designs without prior notice.

**HE & BS Benson Ltd**

1 Laureate Industrial Estate, Exning Road, Newmarket, Suffolk UK CB8 0AR

T. +44(0)1638 663535 — 663130 F. +44(0)1638 667434 E. sales@hebsbenson.co.uk www.hebsbenson.co.uk