

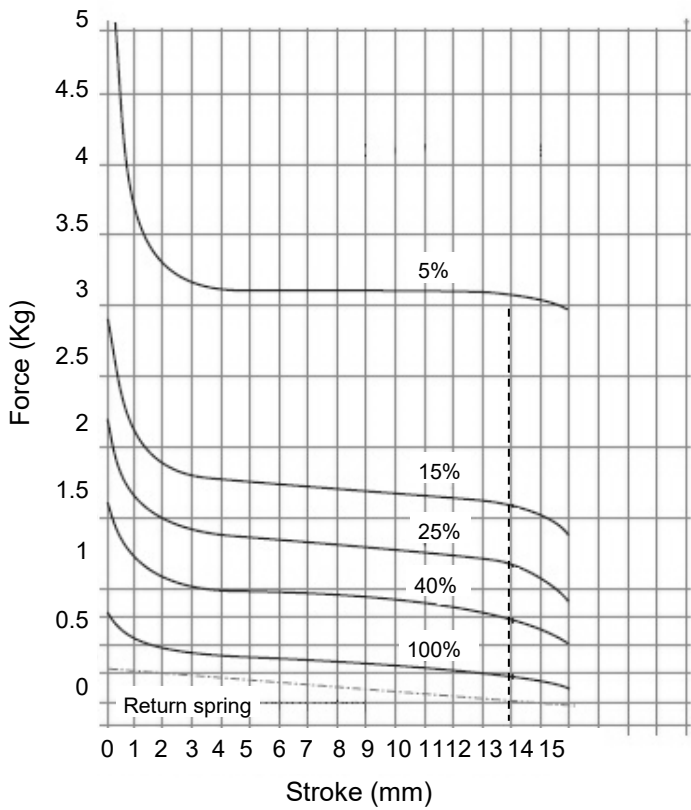
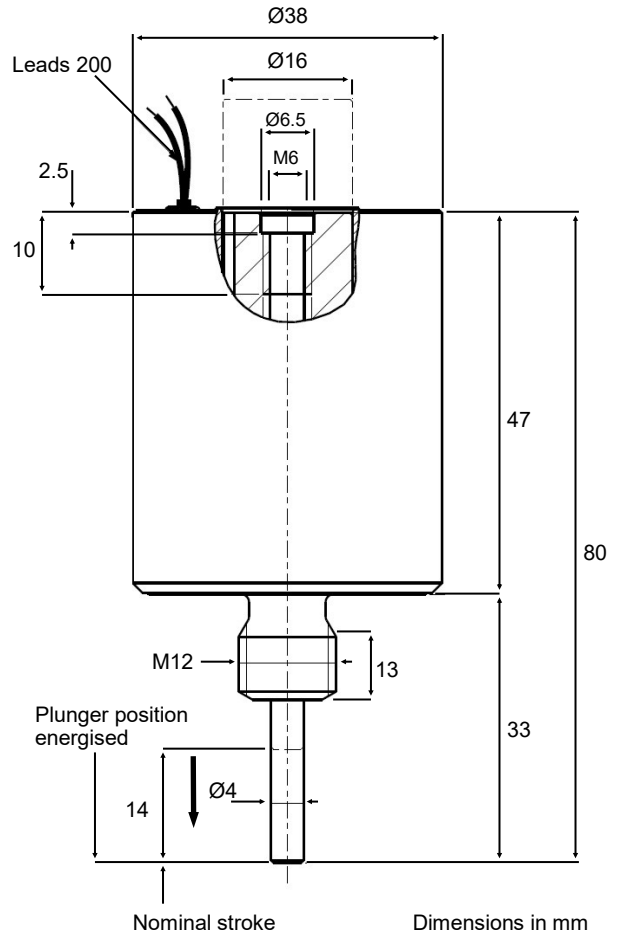


CLP12
INDUSTRIAL SOLENOID
8.13.AB.83

Availability
For DC only.
Stroke 14mm
Pull or Push
Standard voltage 24V DC
Possible Voltage 12 - 220v DC
IP40

Solenoid shown in energised position

Weight complete 300g
Plunger weight 60g



Forces shown are at working temperature
Cold forces are higher

- DC Watts**
- Cont Rtg = 12W
 - 40% Rtg = 28W
 - 25% Rtg = 40W
 - 15% Rtg = 70W
 - 5% Rtg = 200W

We reserve the right to alter or amend designs without prior notice.