



BLM0 DC LATCHING SOLENOID

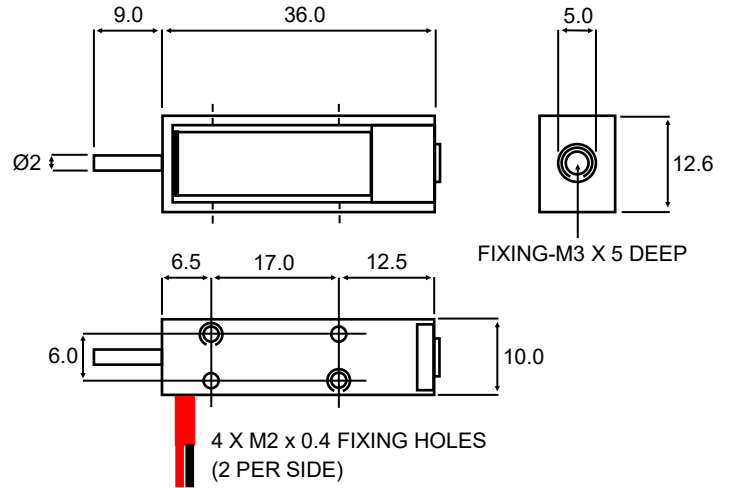
Availability
DC only
PULL & THRUST

Solenoid shown in
energised position

Weight complete 20g
Plunger weight 4g max

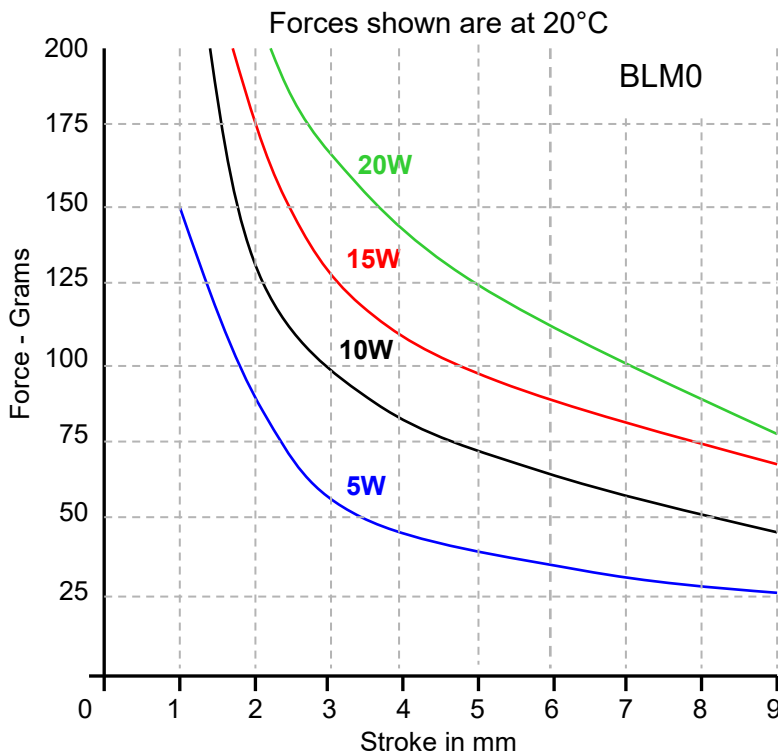
Solenoid CLOSSES with
RED Lead + VE
Solenoid OPENS with
BLACK Lead + VE

Minimum Pulse duration - 50ms
De-latch power - 0.5W



Magnet Holding Force @ '0'stroke - 350g

(Mechanical assistance is required when de-latching,
return spring fitted as standard)



Example Applications

- Electronic Locks
- Medical Cabinets
- Vending Machines
- Battery Operated Locks

** Please note: Fixing, plunger coupling, thrust rods and lead length can all be customised **
 We reserve the right to alter or amend designs without prior notice.