

BLM3 DC LATCHING SOLENOID

Availability
DC only
PULL - THRUST - PULL & THRUST

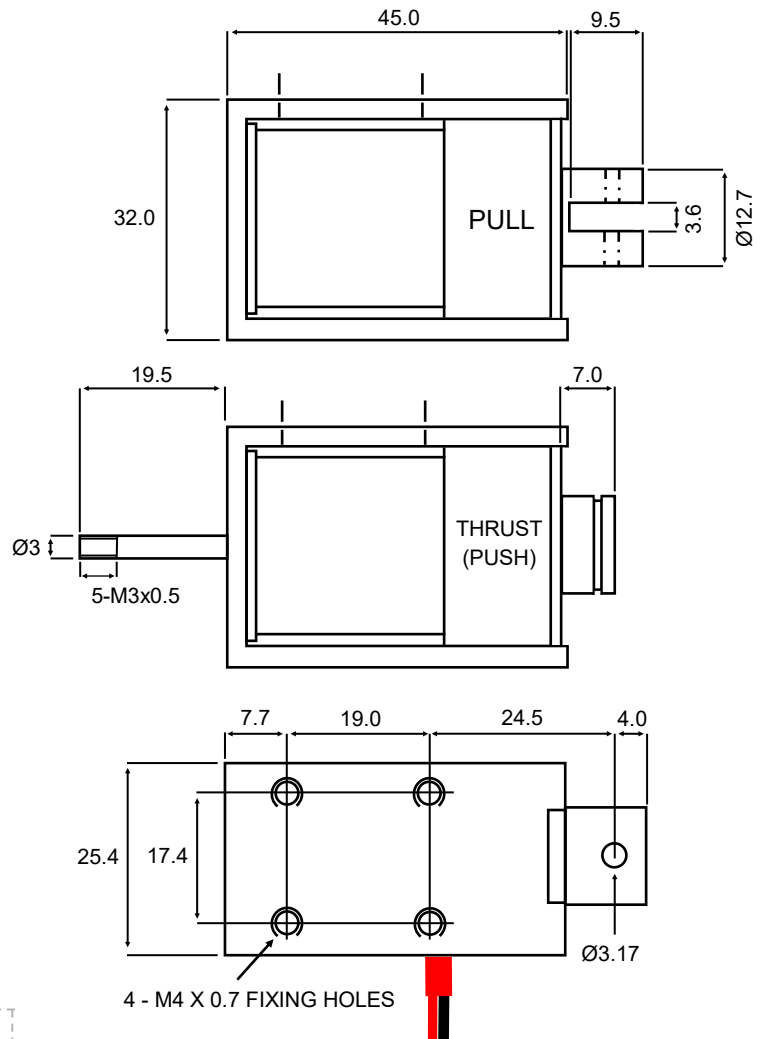
Solenoid shown in energised position

Weight complete 167g
Plunger weight 45g max

Solenoid CLOSSES with
RED Lead + VE
Solenoid OPENS with
BLACK Lead + VE

Minimum Pulse duration - 100ms
De-latch power - 2.5W

(Mechanical assistance is required when de-latching,
ie via mechanism or return spring)

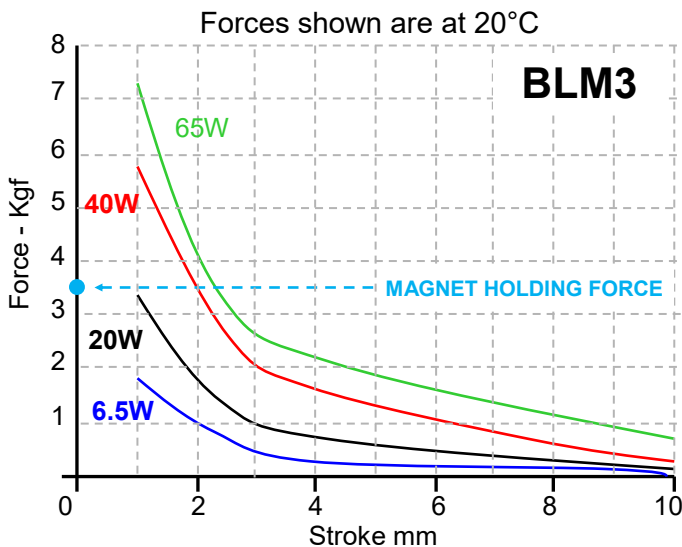


LEADS 200 - ONE RED ONE BLACK
DIMENSIONS IN MM

Optional
Return Spring
Nylon Tip

Example Applications

- Electronic Locks
- Medical Cabinets
- Vending Machines
- Battery Operated Locks



**** Please note: Fixing, plunger coupling, thrust rods and lead length can all be customised ****
We reserve the right to alter or amend designs without prior notice.