

# BLM5 DC LATCHING SOLENOID

**Availability**  
DC only  
PULL - THRUST - PULL & THRUST

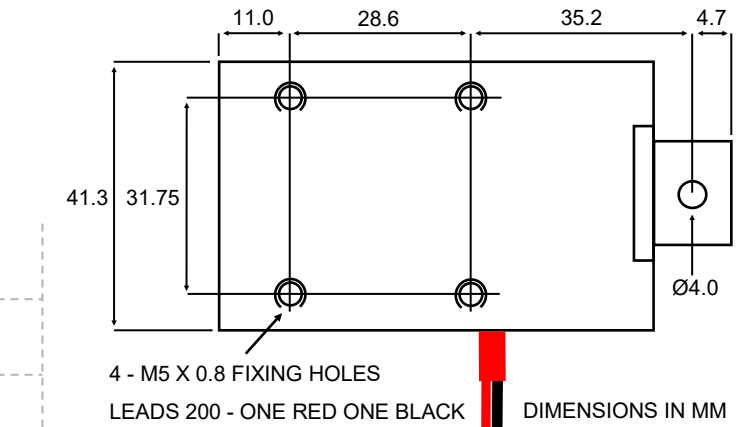
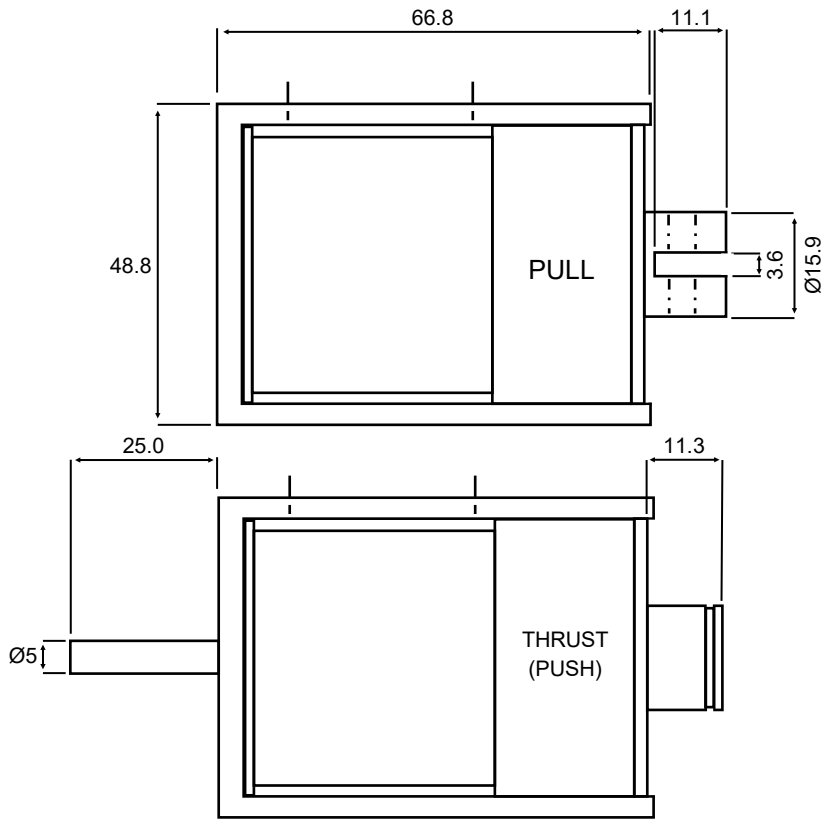
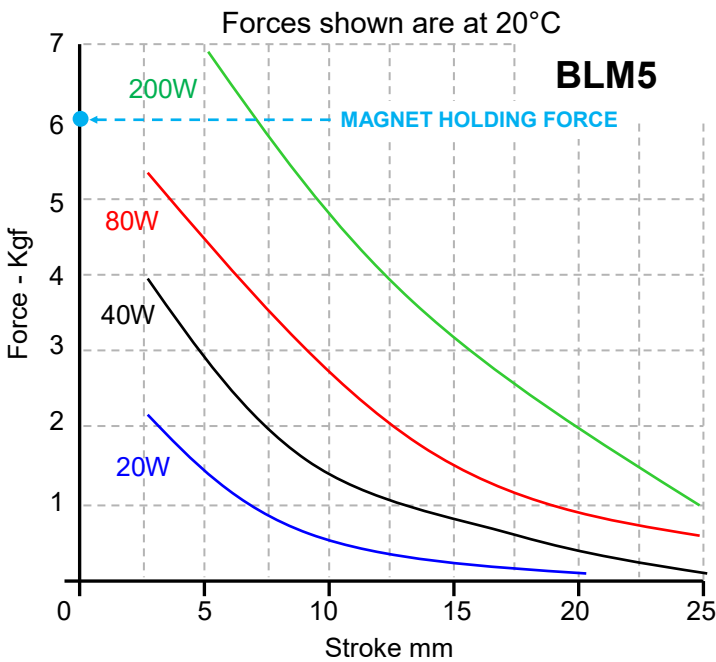
**Solenoid shown in energised position**

Weight complete 553g  
Plunger weight 92g max

Solenoid CLOSSES with  
**RED** Lead + VE  
Solenoid OPENS with  
**BLACK** Lead + VE

Minimum Pulse duration - 100ms  
De-latch power - 2W

(Mechanical assistance is required when de-latching,  
ie via mechanism or return spring)



**Optional**  
Return Spring  
Nylon Tip

- Example Applications**
- Electronic Locks
  - Medical Cabinets
  - Vending Machines
  - Battery Operated Locks

\*\* Please note: Fixing, plunger coupling, thrust rods and lead length can all be customised \*\*  
*We reserve the right to alter or amend designs without prior notice.*