



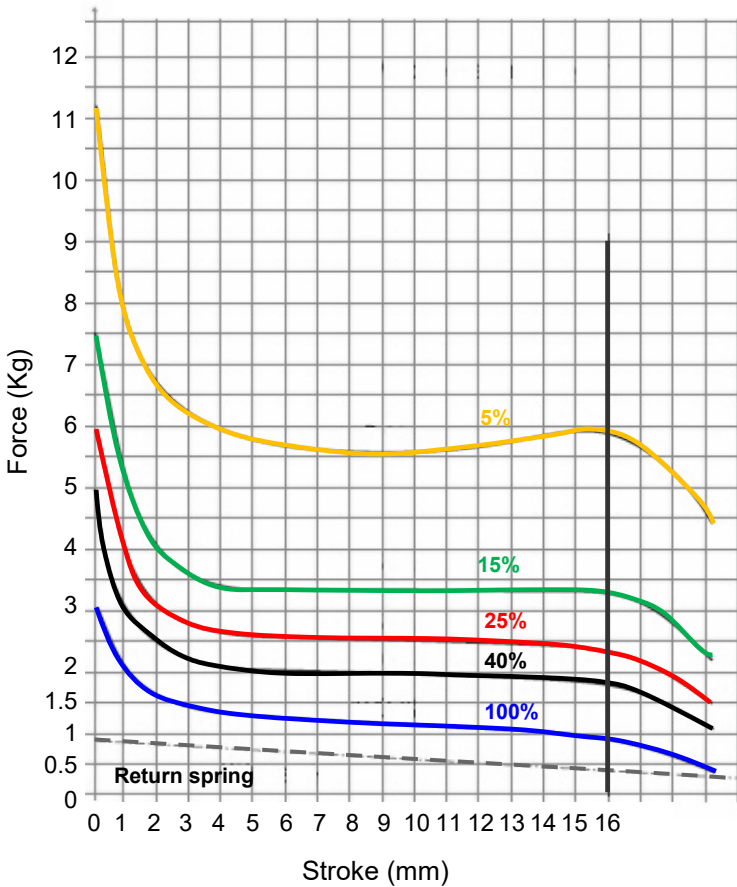
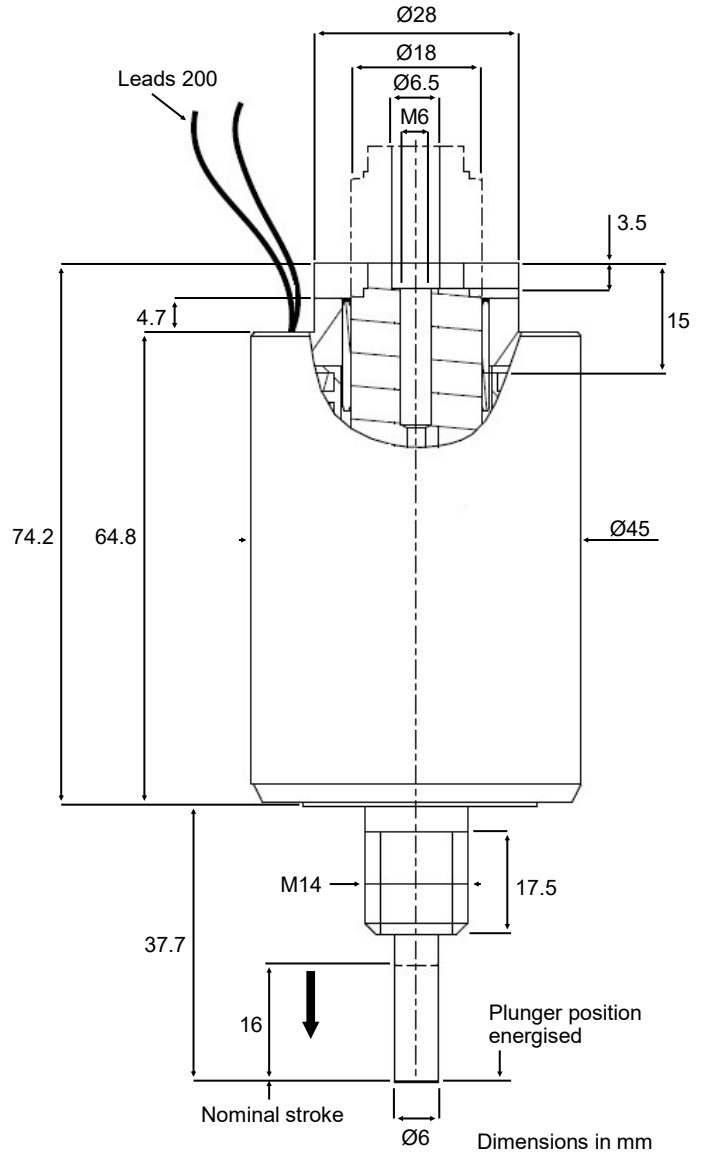
**CLP14
INDUSTRIAL SOLENOID
8.19.AB.83**



Availability
For DC only.
Stroke 16mm
Pull or Push
Standard voltage 24V DC
Possible Voltage 12 - 220V DC
IP40

Solenoid shown in energised position

Weight complete 600g
Plunger weight 100g



Forces shown are at working temperature
Cold forces are higher

- DC Watts**
- Cont Rtg = 18W
 - 40% Rtg = 42W
 - 25% Rtg = 65W
 - 15% Rtg = 105W
 - 5% Rtg = 310W

We reserve the right to alter or amend designs without prior notice.

HE & BS Benson Ltd

1 Laureate Industrial Estate, Exning Road, Newmarket, Suffolk UK CB8 0AR

T. +44(0)1638 663535 — 663130 E. sales@hebsenson.co.uk www.hebsenson.co.uk

CLP14 Rev 3 - 2019