



**BEM5  
ELECTROMAGNET  
Holding Power ON**

This magnet exerts a holding force of approximately 55 Kgf perpendicular to any steel plate (see accessories) with which it is in contact, assuming nominal voltage, and coil at working temperature rise of 60°C in an ambient of 20°C.

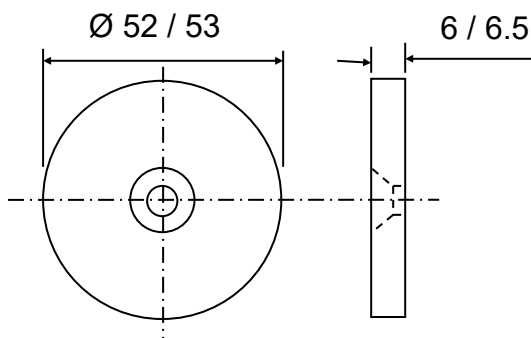
For this hold, the steel plate should be not less than 5 mm thick.  
(Note that a magnet has little resistance to a sliding force)

Voltage range 6 - 240 DC.  
Power consumption 4 Watts.  
Supply - DC or full-wave rectified AC.

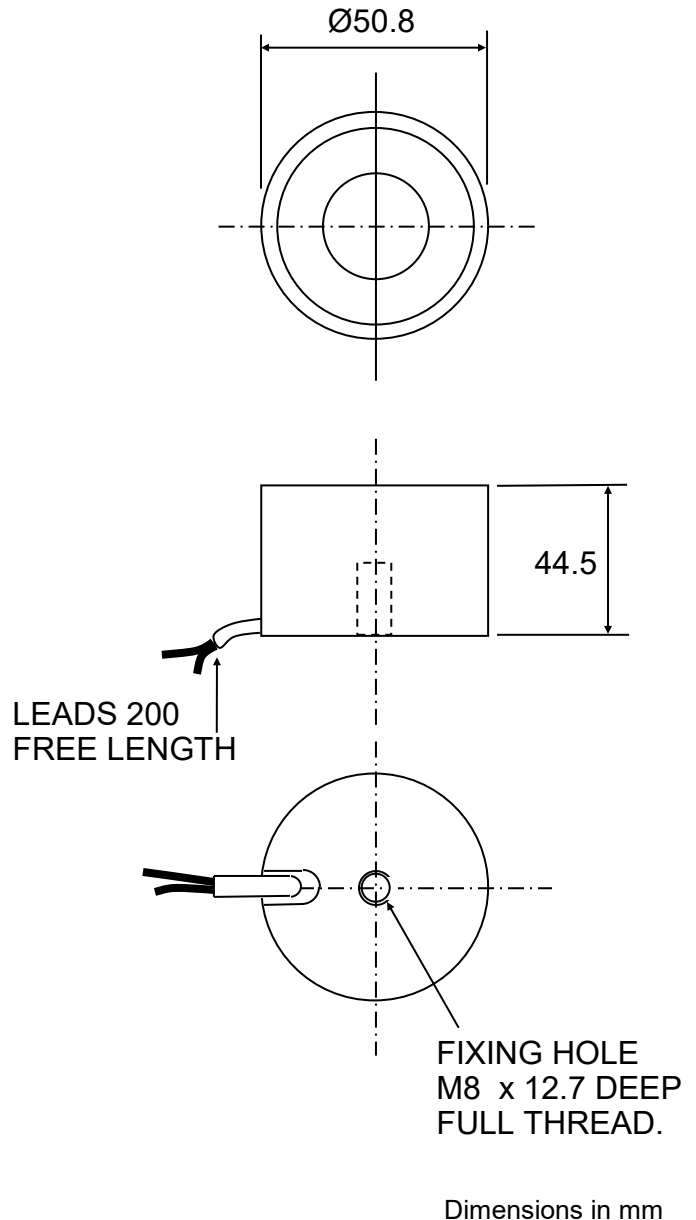
The low wattage and temperature rise give maximum reliability and minimum power consumption on the remote control latches, shutters, fire doors etc. to which this magnet is frequently applied.

Weight 500g.

**Accessory Option  
Catch Plate 2693**



Fix with M5 countersink screw , ( not supplied ).



Dimensions in mm

*We reserve the right to alter or amend designs without prior notice.*

**HE & BS Benson Ltd**

**1 Laureate Industrial Estate, Exning Road, Newmarket, Suffolk UK CB8 0AR**

**T. +44(0)1638 663535 – 663130 E. sales@hebsbenson.co.uk www.hebsbenson.co.uk**

BEM5 Rev 6 - 2019