



**B.28PM65
SHOTBOLT SOLENOID
LOCKING POWER OFF
WITH POSITION MONITORING
IP65**

BDC.28PM65 and BAC.28PM65

Maximum radial force: **300Kg with Bracket, 1000Kg without Bracket**

Plunger output and input force: **1Kg**

Stroke: **15mm**

Mounting in all positions.

Standard voltage: **24V DC - 115V, 230V AC (-10%, +5%)**

Possible voltages: **12V - 220V DC**

110V - 230V AC (-10%, +5%)

Power: **32W-100% (Permanent service)**

Return spring: **Internal**

Position monitoring with NC safety switch

According to standards: **EN 60947-5-1**

AC 15 : 240 / 3A

DC 13 : 24V / 0.55A (L/R = 75ms)

Protection rating: **IP65**

Service operating temperature: **-5°C, +40°C**

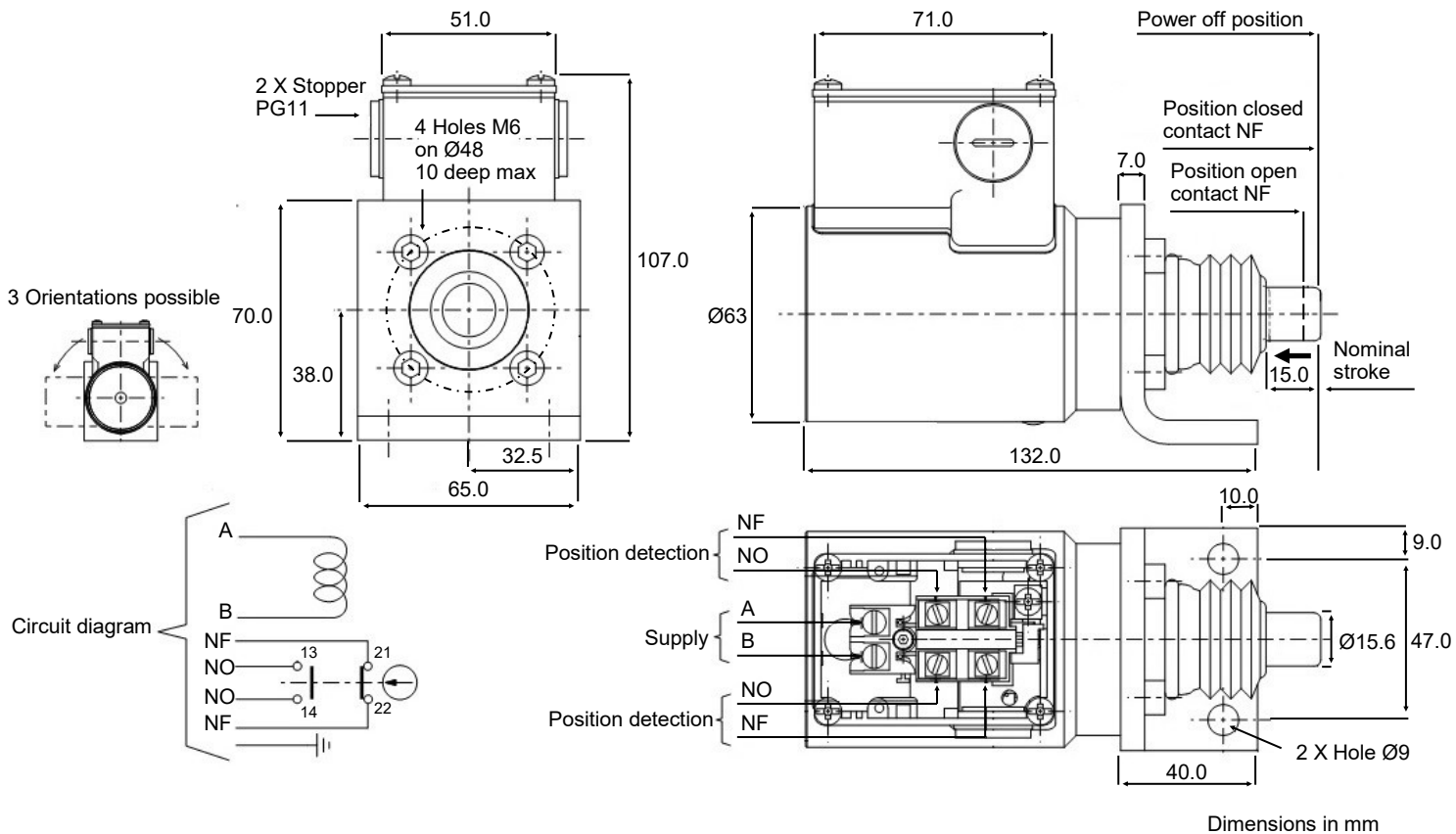
Thermal class: **B**

Total weight: **2.4Kg**

Example of use:

Securing dangerous machines according to standards EN292, EN1088, EN60204-1 and EN60947-5-1.

Locking moving guards or doors accessing dangerous areas in dusty or humid atmospheres.



We reserve the right to alter or amend designs without prior notice.

HE & BS Benson Ltd

1 Laureate Industrial Estate, Exning Road, Newmarket, Suffolk UK CB8 0AR

T. +44(0)1638 663535 – 663130 E. sales@hebsbenson.co.uk www.hebsbenson.co.uk