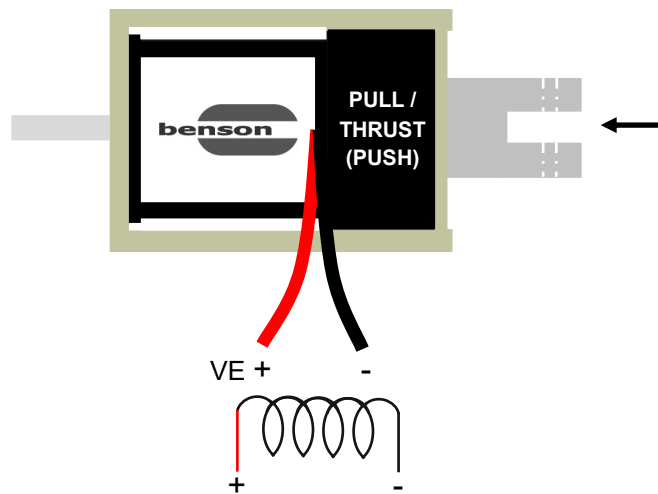
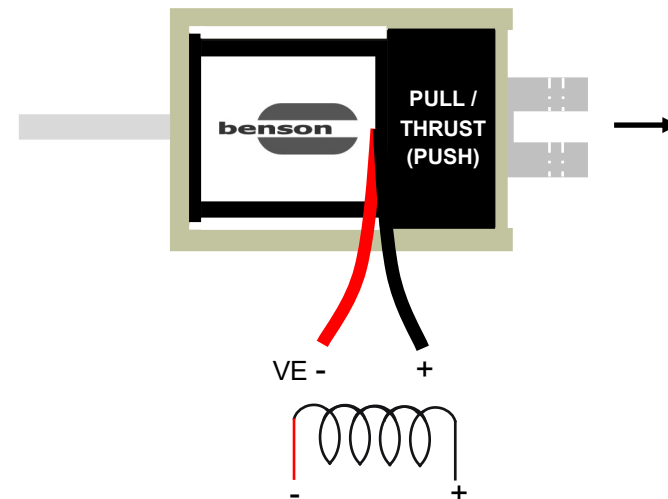


Latching Solenoid - Operating Principle

Open Position, Energise Solenoid



Closed Position, De-Energise Solenoid



Plunger in the Open position free or maintained by an external force.

- 1, Energise coil, plunger PULLS or THRUSTS (PUSHES) to closed position
- 2, Pulse to coil finishes, permanent magnets hold the plunger closed

Plunger in the Closed position held by permanent magnets.

- 1, Energise coil with lower voltage reverse polarity pulse
- 2, Mechanical assistance is required when de-latching to open position. (ie Return Spring)